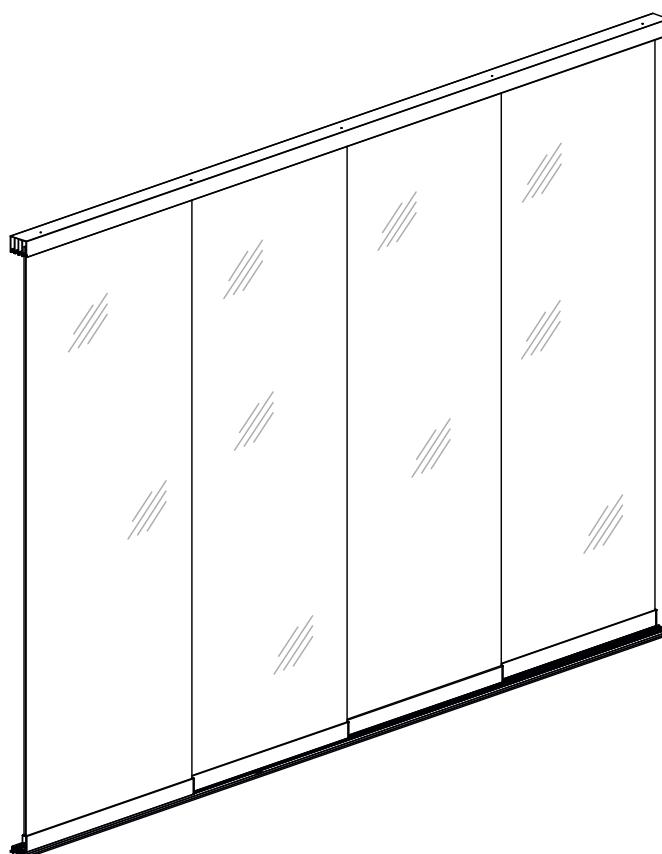


User manual / assembly instructions Deponti sliding glass wall

Type Fiano



Contents

1. Introduction	3
2. Safety precautions and warnings	3
3. Product description	5
4. Parts overview	6
4.1 Exploded view	6
4.2 Delivery inspection	6
4.3 Parts list	7
5. Preparation for assembly	9
5.1 Conditions for assembly	9
5.2 Inspection of tools and accessories	10
5.3 Measuring & determining dimensions	11
5.3.1 Height dimension	12
5.3.2 Overlap dimension	12
6. Assembly	13
6.1 Pre-installing wheel systems in H-profiles	13
6.2 Pre-installing catches in H-profiles (option)	14
6.3 Pre-installing glass panel	16
6.4 Installing U-profiles for the side connection (option)	18
6.4.1 Cutting to size and pre-drilling the U-profiles	18
6.4.2 Installing the U-profiles	19
6.5 Installing top and bottom rails with side connection (option)	20
6.5.1 Cutting to size and pre-drilling the top rail	20
6.5.2 Cutting to size and pre-drilling the bottom rail	21
6.5.3 Installing the top and bottom rails	22
6.6 Installing top and bottom rails	23
6.6.1 Cutting to size and pre-drilling the top rail	23
6.6.2 Installing the top rail	24
6.6.3 Cutting to size and pre-drilling the bottom rail	25
6.6.4 Installing the bottom rail	26
6.7 Placing the glass panels	27
6.8 Adjusting the glass panels	29
6.9 Installing handle (option)	30
6.10 Installing fill strips (option)	31
7. Maintenance	32
8. Disposal of waste	32
9. Warranty conditions	32
10. Contact	32

KEEP THIS MANUAL IN A SAFE PLACE FOR FUTURE USE!

For the duration and the terms and conditions of the warranty we recommend that you contact your supplier. We also refer you to our General Terms and Conditions of Sale and Delivery which are available on request. Deponti B.V. accepts no liability for any damage or injury resulting from a failure to carefully follow the instructions in this manual or exercise due caution during transport, assembly, use and maintenance of the sliding glass wall. As a result of our policy of continuous product improvement, certain product details may differ from what is described in this manual. For this reason the instructions provided only serve as a guideline for installation of the product this manual describes. This manual has been compiled with the utmost care, but Deponti B.V. cannot be held responsible for any errors in this manual or the consequences thereof. Furthermore, all rights are reserved and no part of this manual may be reproduced in any way whatsoever.

1. Introduction

Congratulations on the purchase of your Deponti sliding glass wall!

Before you can start enjoying your sliding glass wall it must be assembled properly. This manual provides clear instructions for all the steps you must complete for correct assembly of your Deponti sliding glass wall. We recommend that you take the time to read the entire manual before you begin assembly.

Check whether you have received all the necessary parts before you begin assembly. For your safety, follow all the applicable instructions. This also guarantees the safety of the installed sliding glass wall. If you should have any questions, please feel free to contact your Deponti dealer.


This manual should be kept in a safe, dry and shady place. In the event of damage or loss, the user must request a new copy of the manual from the supplier.

2. Safety precautions and warnings



Important:

Please read the safety precautions and warnings before assembling the sliding glass wall.

- During assembly, carefully follow the instructions and guidelines as described in this manual. Never change the order of the steps to be performed. If any aspect of the assembly procedure is unclear, please contact your Deponti dealer. We reserve the right to make technical changes without written notice.
- We normally recommend that the sliding glass wall be installed by two people (qualified technicians/authorized installers) working together. 
- Check the delivery immediately upon receipt. In the event of damage or an incomplete delivery please contact your dealer immediately.
- The materials must be stored in a dry, ventilated area, not exposed to direct sunlight.
- Open the packaging carefully. Make sure you do not damage the product.
- To prevent damage to your sliding glass wall, place the parts on a soft, clean, flat surface. **Never** place the glass panels directly on the ground! Tempered glass is easily scratched. Make sure it does not get scratched. Be particularly careful with the edges and corners of the glass panels.
- **Never** stand on the glass panels.

2. Safety precautions and warnings (continued)

- The addition or removal of parts, or the use or installation of materials other than in the prescribed manner, may adversely affect the safety of the sliding glass wall and is therefore strongly discouraged!
- Tempered glass may **NOT** be ground or cut.
- Cordon off the assembly location so that others are kept at a distance.
- Always wear the correct protective clothing (work gloves, dust mask, safety glasses, shoes with non-slip soles, etc.) when performing the work.
- Always place a ladder on a firm, stable surface.
- Install the sliding glass wall on a flat, stable foundation or surface. Make sure all fasteners are properly tightened. Check this regularly.
- The type of fastener to be used for the top rail, bottom rail and U-profiles for the side connection depends on the type of surface (steel, concrete or wood). Which types of fasteners are to be used must be determined by the installer, so fasteners are not included.
- Contamination may accumulate in the bottom rail system. To obtain maximum service life, it is important to keep the rail (track system) clean.
- Before first use the sliding glass wall must first be thoroughly rinsed with clean water.
- Use plenty of water, soft material and a sponge for cleaning. Use only neutral cleansers. No acids or alkalis. Solvents (washing-up liquid and glass cleaner) can be used for removing greasy contamination.
- Be careful **not** to pinch fingers and limbs between the glass panels and/or side connection profiles.
- Dispose of the product in accordance with local laws and regulations.
- Deponti B.V. accepts no liability for damage or injury caused by failure to strictly follow the safety regulations and instructions in this manual or exercise due caution during assembly, use and maintenance of the product and any related accessories. Deponti B.V. is not responsible for any form of damage.

3. Product description

The Fiano sliding glass walls are ideal for use as a door for your patio roof, veranda, garden house, cabin, balcony, etc.

The Fiano sliding glass wall consists of glass panels and aluminium top and bottom rails.

The glass panels can be slid to the left and right in a 3-, 4- or 5-track guide rail.

The system is fitted with bottom wheel guides, which is to say that there is an aluminium H-profile on the bottom of each glass panel which is fitted with a wheel system with plastic runner wheels that run along the bottom rail. The wheel systems are height adjustable, allowing perfect adjustment of the glass panels.

The top rail, as delivered, has a height of 60 mm. The top rail has double brush profiles, to provide stable guidance.

The bottom rail has a low bottom guide with a removable connecting/runner rail.

There are water drainage slots in the bottom rail to allow rainwater to drain from the rail.

Optionally, the bottom rail can be fitted with fill strips (not in combination with catches!).

The glass panels are made of 10-mm-thick tempered safety glass and have an attractive ground finish at the edges. The glass panels are available with an overall height of 200 to 250 cm and a width of 64 to 82 cm. With five tracks up to ten panels can be installed.

The sliding glass walls can optionally be fitted with handles and catches so that all the panels automatically slide one after the other when the sliding glass wall is opened.

The mounting position of these catches in the H-profile is variable, so the overlap of each panel can be set separately.

Details

Colours	Cream (RAL9001) or Graphite grey, structure (RAL7024)
Glass type	Tempered safety glass
Glass thickness	10 mm
Number of tracks	3/4/5-track rails (60, 79 and 98 mm wide)
Arrangement	1 sided / 2 sided / 2 sided with middle closure
Glass panel width	64 or 82 cm
Overall height (net)	200, 210, 220, 230, 240 and 250 cm

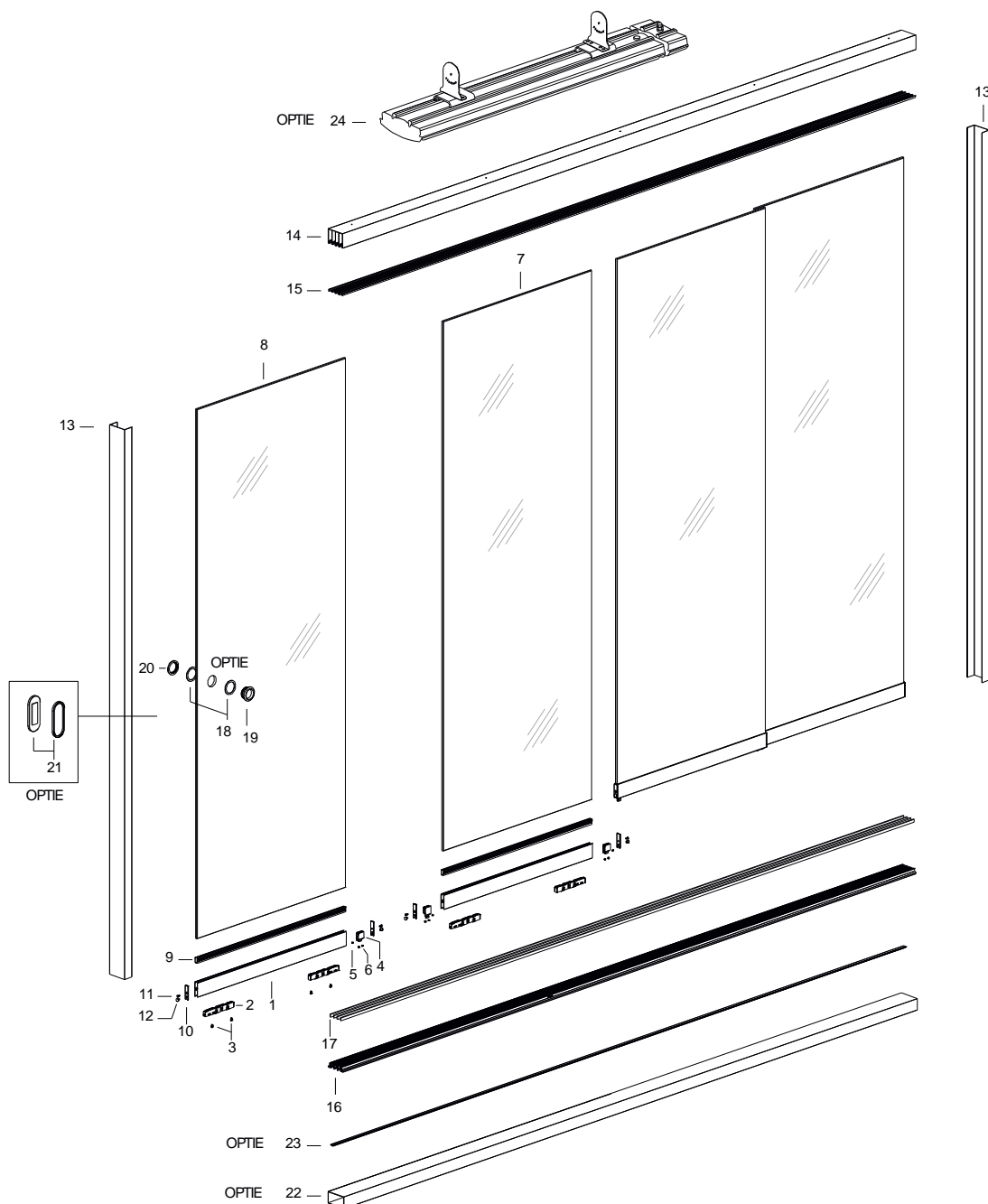
The type of fastener to be used for the top rail, bottom rail and U-profiles for the side connection depends on the type of surface (steel, concrete or wood). Which types of fasteners are to be used must be determined by the installer, so fasteners are not included.

Through use of a rectangular hollow section (RHS) and/or U-profiles (horizontal/vertical), the rough opening can be made level and plumb. Both the RHS and the U-profiles are available as optional parts.

Deponti heat strip (2400 watt) is also an optional extra. See the user manual that accompanies the heat strip for installation instructions.

4. Parts overview

4.1 Exploded view



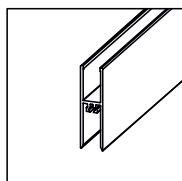
4.2 Delivery inspection

This manual shows a Fiano sliding glass wall with representative dimensions (WxH) of 3.16 x 2.2 m, consisting of four glass panels with an overlap of 40 mm in a one-sided arrangement with 4-track rails. Catches are also used in this system. This merely serves as an example. The type and number of components supplied depends on your order.

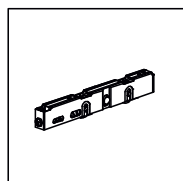
Note: Always carefully check the delivered items against the accompanying delivery note to ensure that the quantity and quality are correct. Any visible defects must be reported in writing within 7 days of delivery.

4.3 Parts list

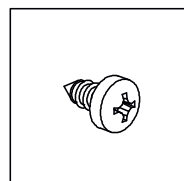
Carefully check the delivered parts against the order form for quantity and quality.



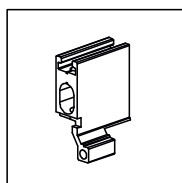
01. H-profile



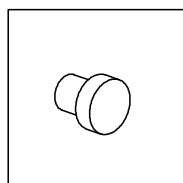
02. Wheel system



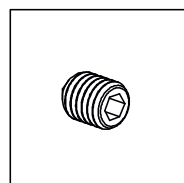
03. Sheet metal screw



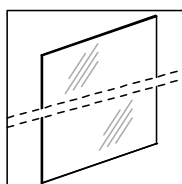
04. Catch
(option)



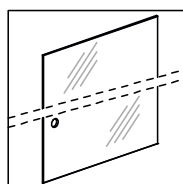
05. Rubber plug
for catch



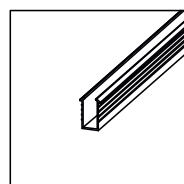
06. Adjustment screw
for catch



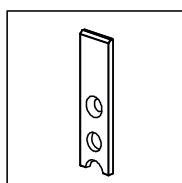
07. Glass panel



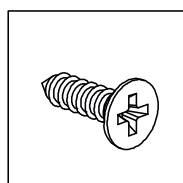
08. Glass panel
for screw-in
handle (option)



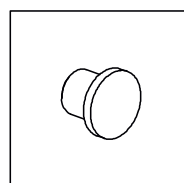
09. U-rubber



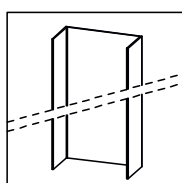
10. Trim cover
H-profile



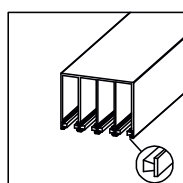
11. Screw 4.2x16
Countersunk
Phillips head



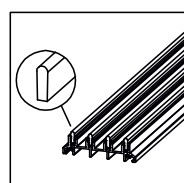
12. Cap



13. U-profiles for side
connection and
compensation
of uneven
floor (option)

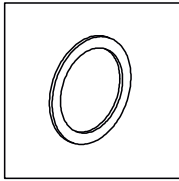


14. Top rail
15. Brush profiles

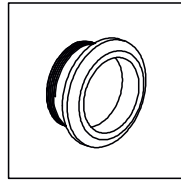


16. Bottom rail
17. Removable
connecting/runner
rail

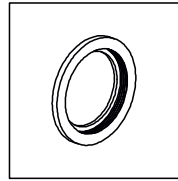
Other options:



18. Rubber seal ring for handle

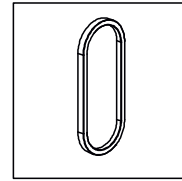


19. Screw-in handle outside

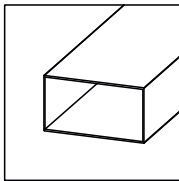


20. Screw-in handle inside

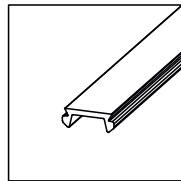
or



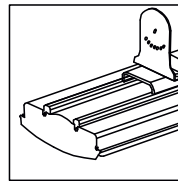
21. Aluminium stick-on handles with 3M VHB tape



22. Rectangular hollow section (RHS) for foundation



23. Fill strip bottom rail



24. Heat strip (2400 watt)

5. Preparation for assembly

5.1 Conditions for assembly

Ground & rough opening

- A good flat stable surface is required for installation of the sliding glass wall.
- The bottom rail must be sufficiently anchored, via RHS, concrete strip or tiles.
- The location where the sliding glass wall will be placed must be construction-ready and free of obstacles (garden furniture, flower boxes, etc.) so installers can perform their work without hindrance.
- Any obstacles and utility lines (e.g. power cables, etc.), must have been removed from the ground.
- The place where the top rail will be placed must be firm, even and flat.

Dimensions

- A Deponti sliding glass wall is available with an overall height of 2000 to 2500 mm.
- A Deponti sliding glass wall has a maximum width of eight metres: up to ten 82 cm panels can be placed on five tracks in the two-sided arrangement.

Screws and drilling

- Tempered glass may **NOT** be drilled, ground or cut.
- Drill screw holes in the top and bottom rails, approximately 4 mm and 100 mm from the edge, with a distance of approximately 70-90 cm to the next two holes.
- Countersink the holes to $\varnothing 10$ mm.
- Mount the top and bottom rails with countersunk-head stainless steel screws.



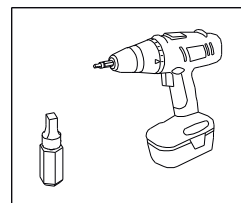
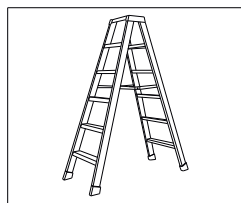
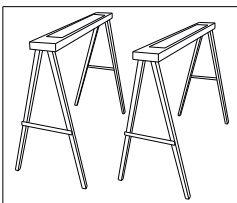
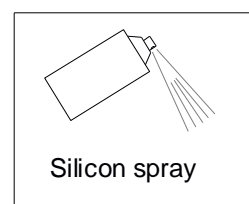
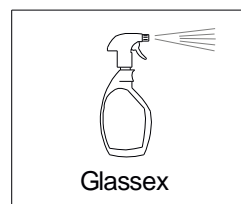
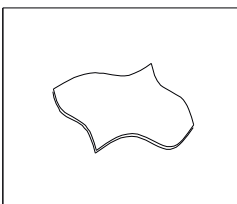
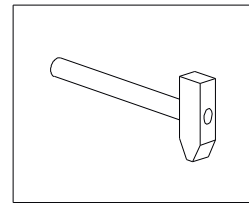
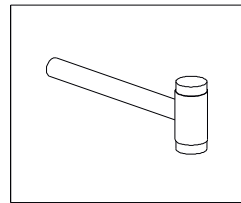
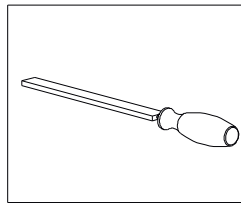
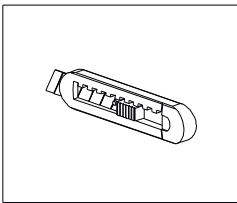
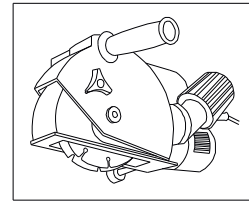
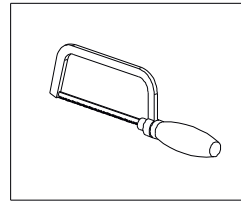
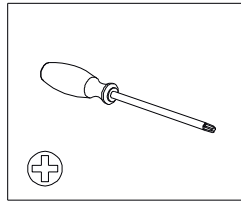
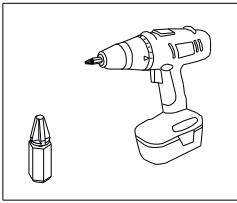
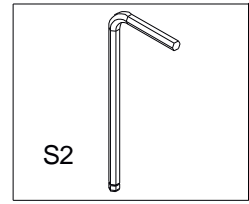
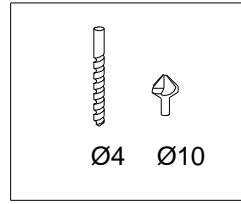
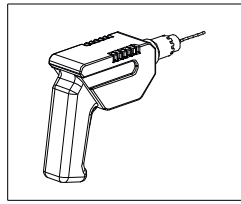
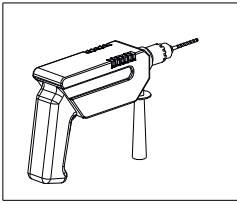
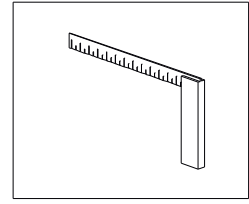
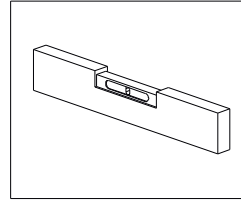
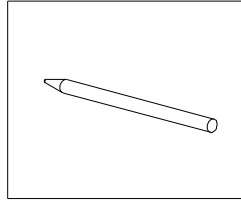
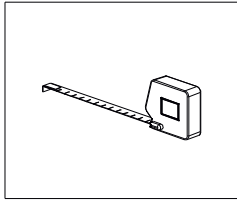
Note: If you continue to turn the screws after they are tight, the screw head may break off. It is recommended that you screw carefully, with the torque limiter on your drill set properly.

Remove protective film

- It is recommended that the protective film be removed from the aluminium parts at the last possible moment, to prevent damage.

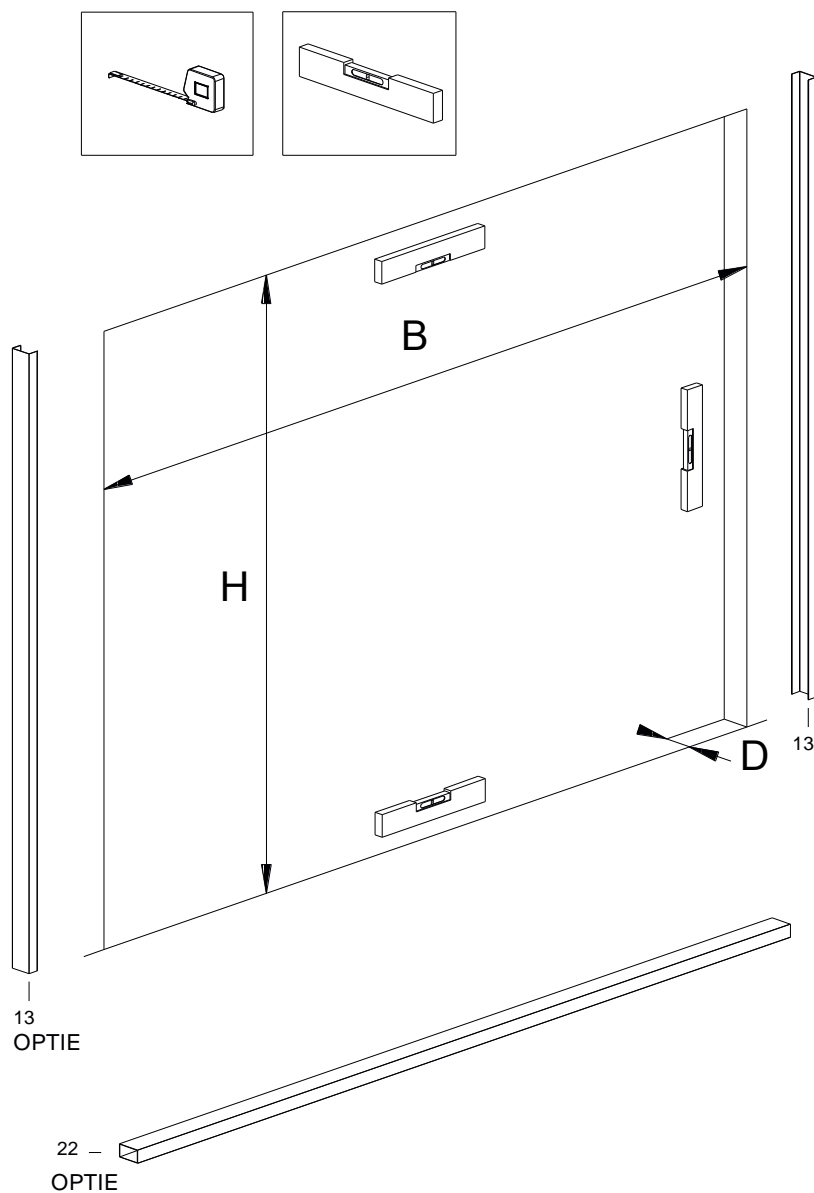
Warranty is void if the Fiano sliding glass wall is not assembled and installed in accordance with the instructions.

5.2 Inspection of tools and accessories



5.3 Measuring & determining dimensions

- Check the rough opening dimensions.
- Verify that the rough opening is level and plumb. The rough opening can be made level and plumb through use of a rectangular hollow section (RHS) and/or U-profiles (horizontal/vertical).
- Check whether the ground is stable, with an adequate foundation (e.g. RHS, concrete strip or tiles).



W: Overall width
H: Overall height
D: Depth of wall, façade or patio roof post

5.3.1 Height dimension

A height compensation table is provided below.

Starting from the rough opening dimension you can reach the following dimensions.

NOTE: these are theoretical dimensions!

Rough opening dimension	Standard	+ U-profile	+ RHS-60
2000 mm	1980 to 2025 mm	to 2055 mm	to 2085 mm
2100 mm	2080 to 2125 mm	to 2155 mm	to 2185 mm
2200 mm	2180 to 2225 mm	to 2255 mm	to 2285 mm
2300 mm	2280 to 2325 mm	to 2355 mm	to 2385 mm
2400 mm	2380 to 2425 mm	to 2455 mm	to 2485 mm
2500 mm	2480 to 2525 mm	to 2555 mm	to 2585 mm

5.3.2 Overlap dimension

The overlap of the glass panels is a variable dimension, derived from the total width of the sliding glass wall which is divided over two different fixed widths of 640 mm and 820 mm.

Sample calculation: Rough opening width 4000 mm

Option: 1. 640 mm panels x 7 = 4480-4000= 480 / 6 = 80 mm overlap.

Option: 2. 820 mm panels x 5 = 4100-4000= 100 / 4 = 25 mm overlap.

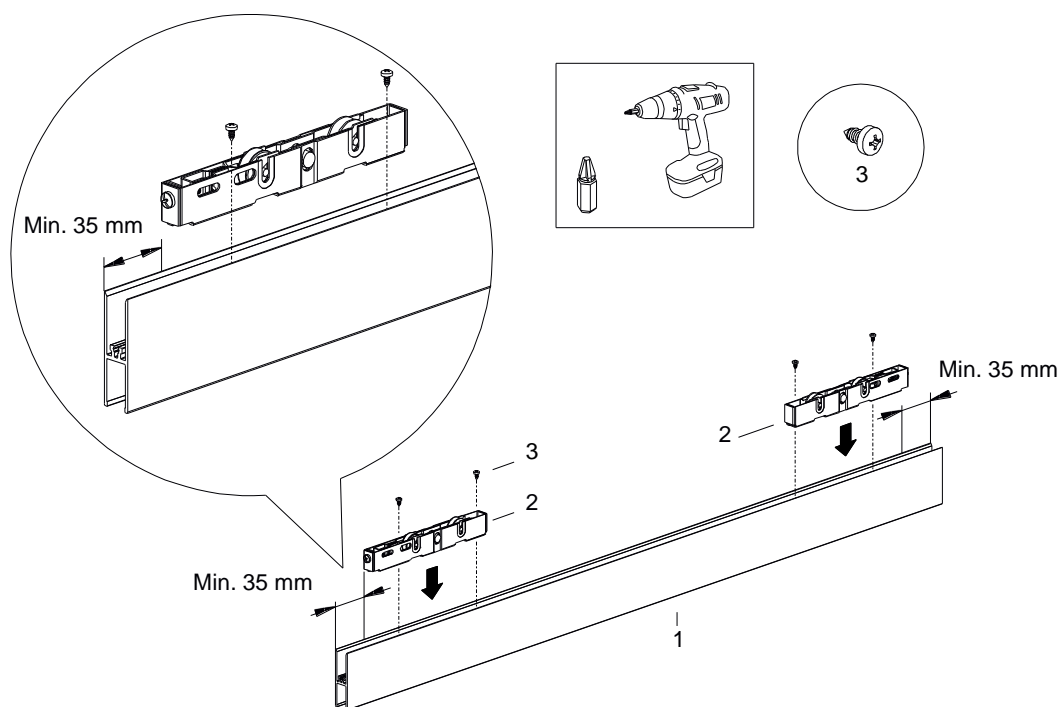
Note:

- If the optional catches are used, an overlap of **at least 35 mm** is required.
- If you use a middle closure (where two panels close against one another on one track), **at least 55 mm of overlap** is required.

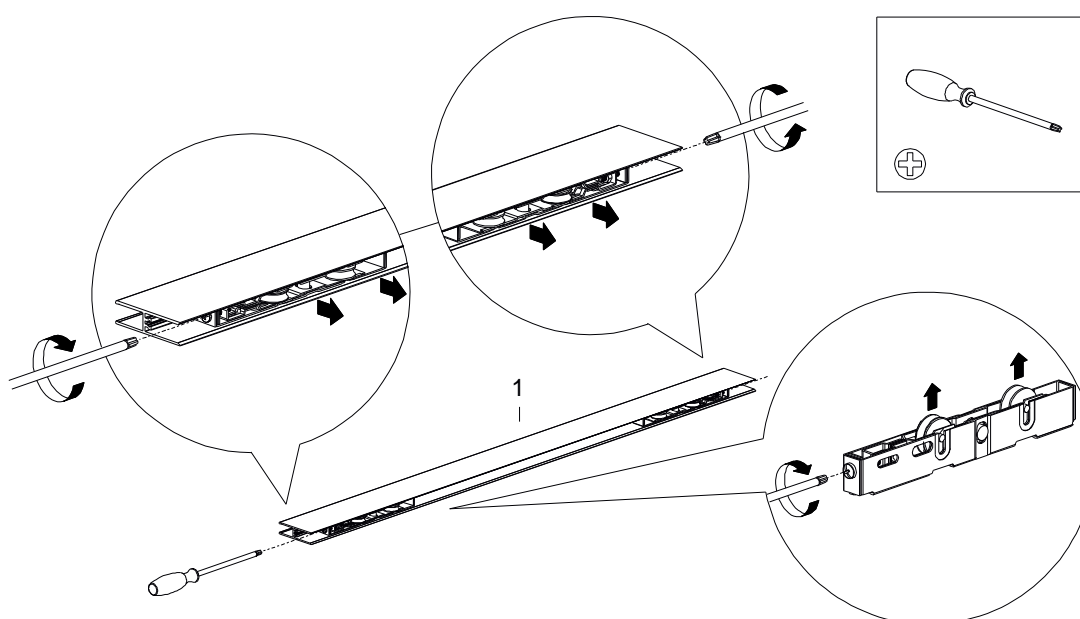
6. Assembly

6.1 Pre-installing wheel systems in H-profiles

1. Place the H-profile with the bottom facing up. Position the wheel system in the H-profile, at a distance of at least 35 mm from the side. Make sure the adjustment screws on the side of the wheel system are facing the outside. Screw the wheel system in the H-profile with 3.9x6.5 pan-head sheet metal screws.



2. Screw the runner wheels three-quarters of the way out from the edge.



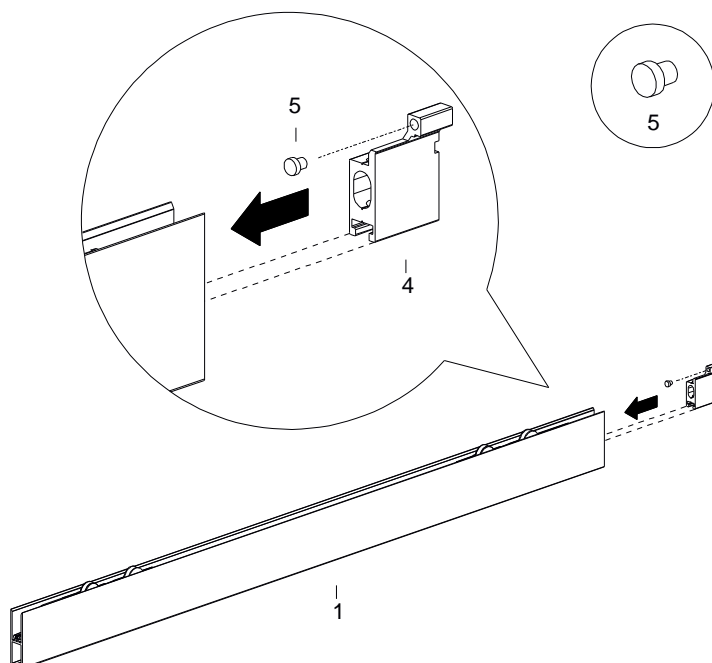
6.2 Pre-installing catches in H-profiles (option)

The sliding glass walls can optionally be fitted with catches so that all the panels automatically slide one after the other when the sliding glass wall is opened.

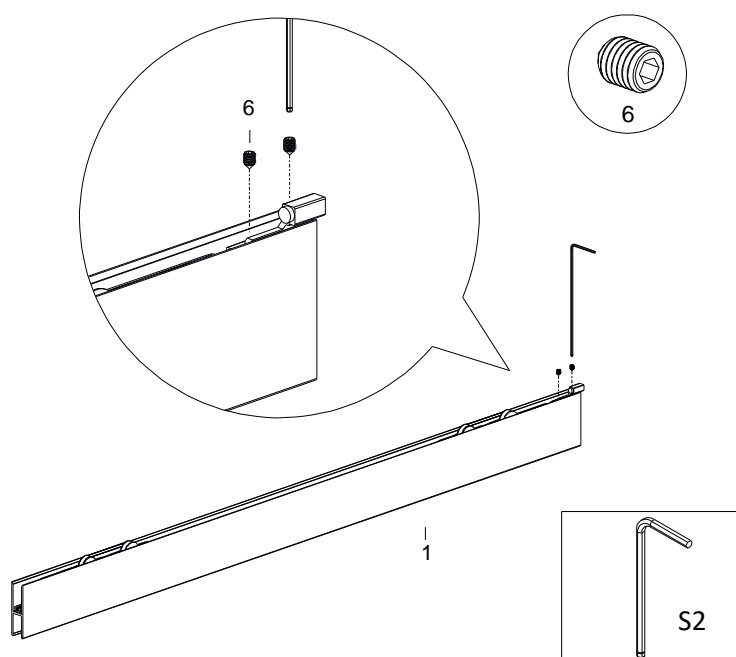
The mounting position of the catches in the H-profile is variable, so the overlap of each panel can be set individually.

This manual shows the situation in which the panels slide one after the other when the sliding glass wall is opened. The panels overlap by 40 mm.

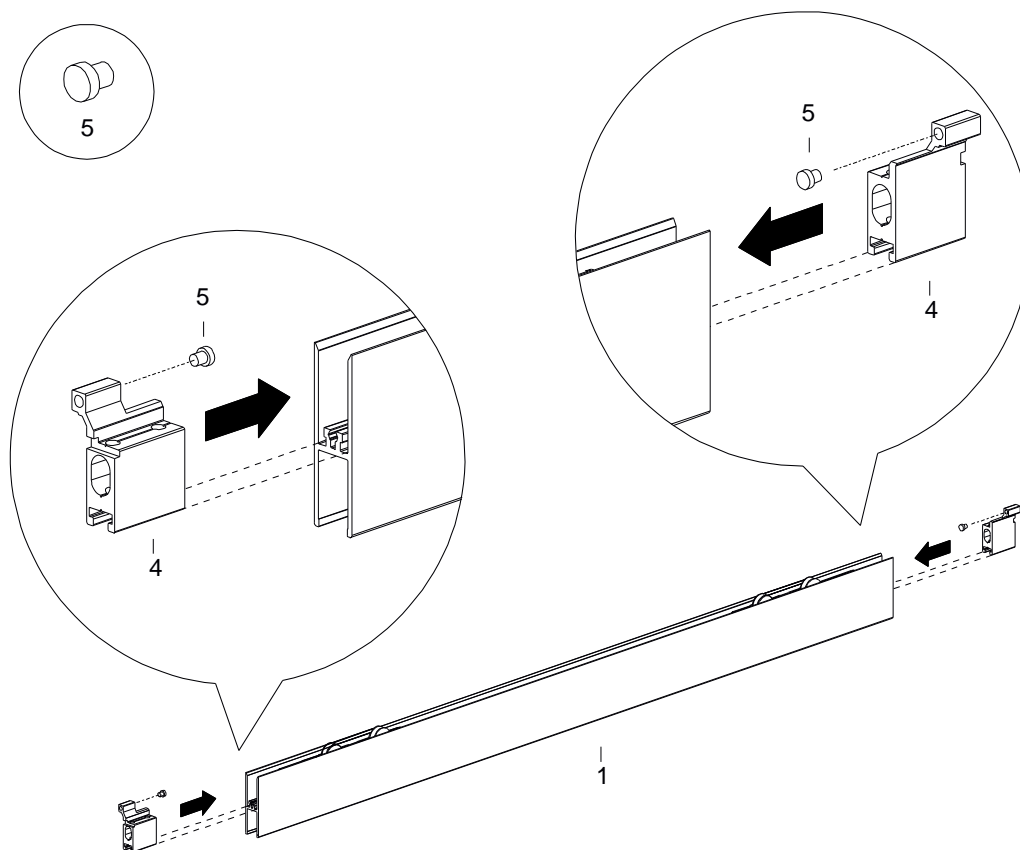
1. Place the H-profile with the bottom facing up. Place one catch in the side of the H-profile of the first and last glass panel. Press the rubber plug (bumper) into the round hole of the catch.



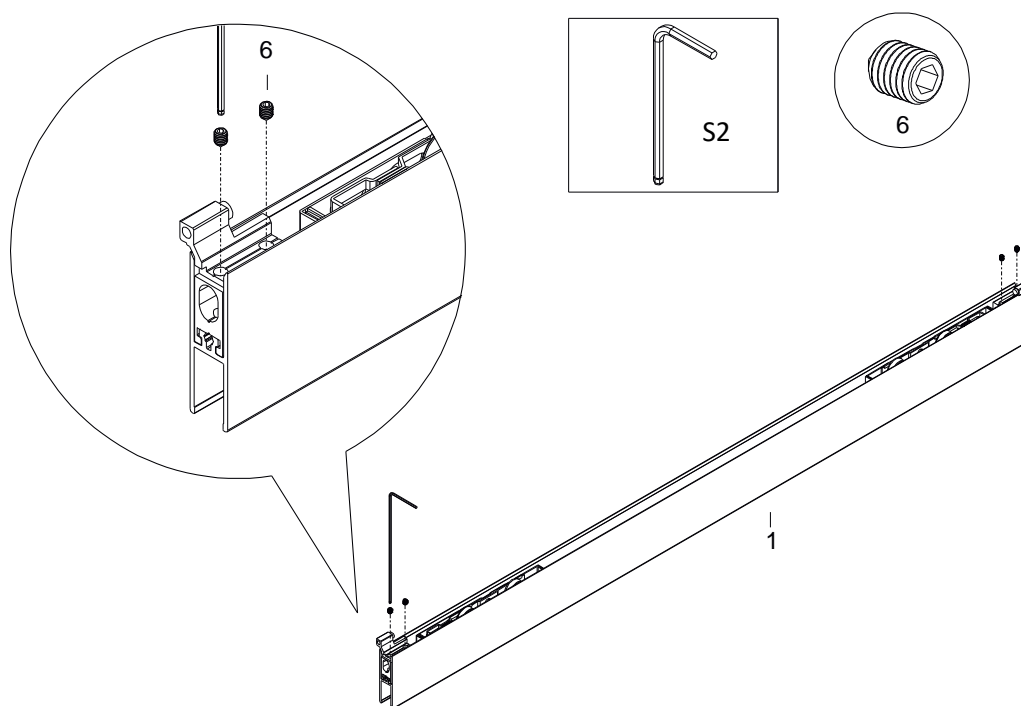
2. Tighten the two set screws of the catch with the Allen key.



3. Place two catches in the side of the H-profile of the middle glass panels. Press the rubber plugs (bumpers) into the round hole of the catches.

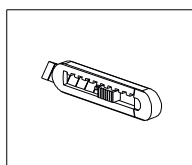
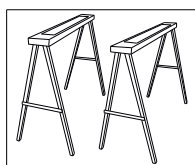
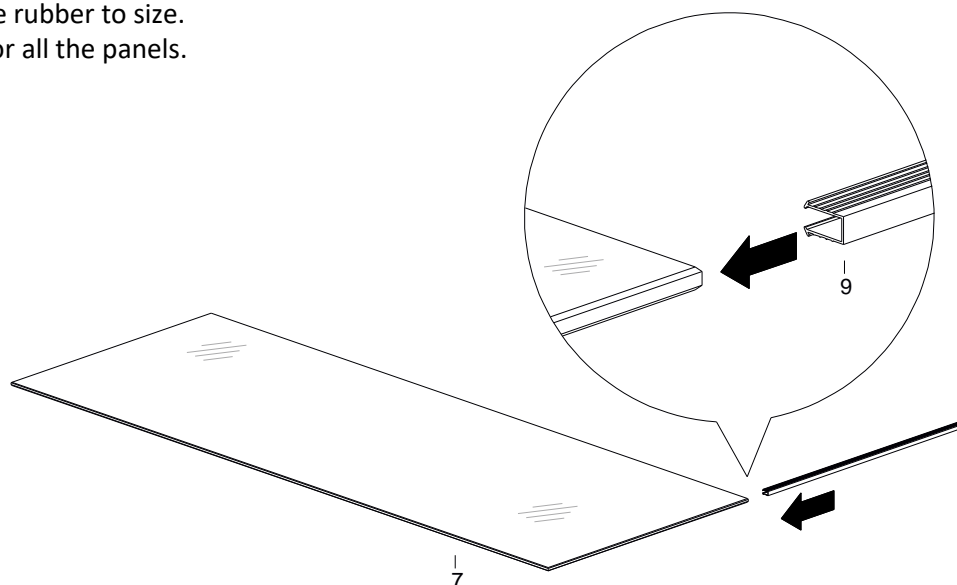


4. Tighten the set screws of the catches with the Allen key.



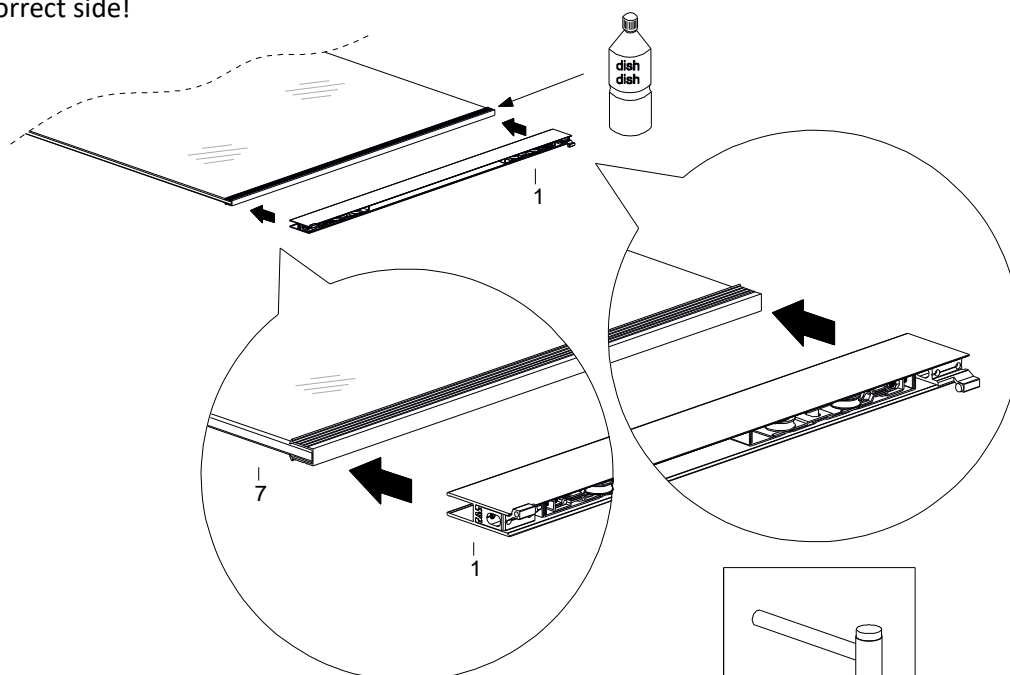
6.3 Pre-installing glass panel

1. Place the glass panel on a stable, horizontal surface (a table or sawhorses) at working height.
 2. Slide the U-rubber over the entire underside of the glass panel.
 3. Cut the rubber to size.
- Do this for all the panels.

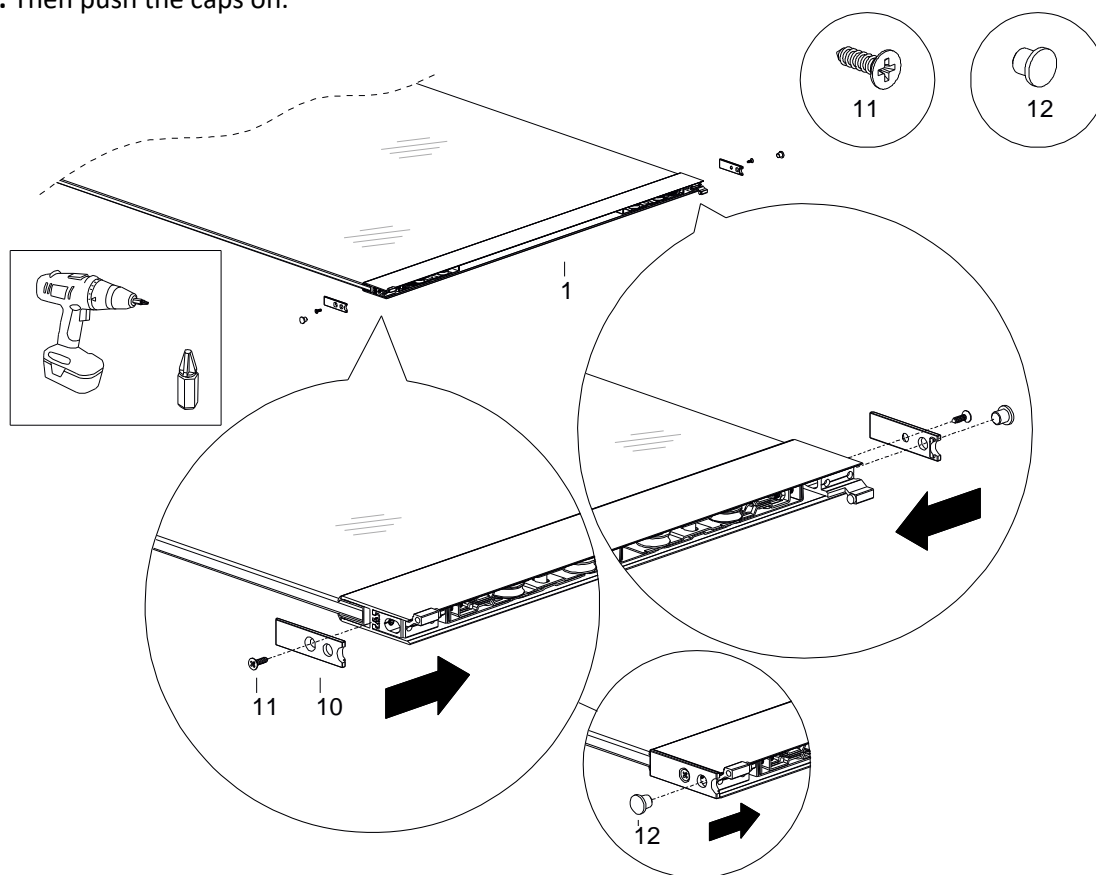


4. Drip washing-up liquid or glass cleaner onto the U-rubber of the glass panel; spread it evenly over the surface.
 5. Place the H-profile with the open side (glass side) over the U-rubber, and tap the H-profile firmly in place.
- Do this for all the panels.

Note: In the case of a glass panel with milled out handle (=optional), make sure the catch is on the correct side!



6. Fit the trim cover on both ends of the H-profile with 4.2x16 stainless steel screws.
7. Then push the caps on.

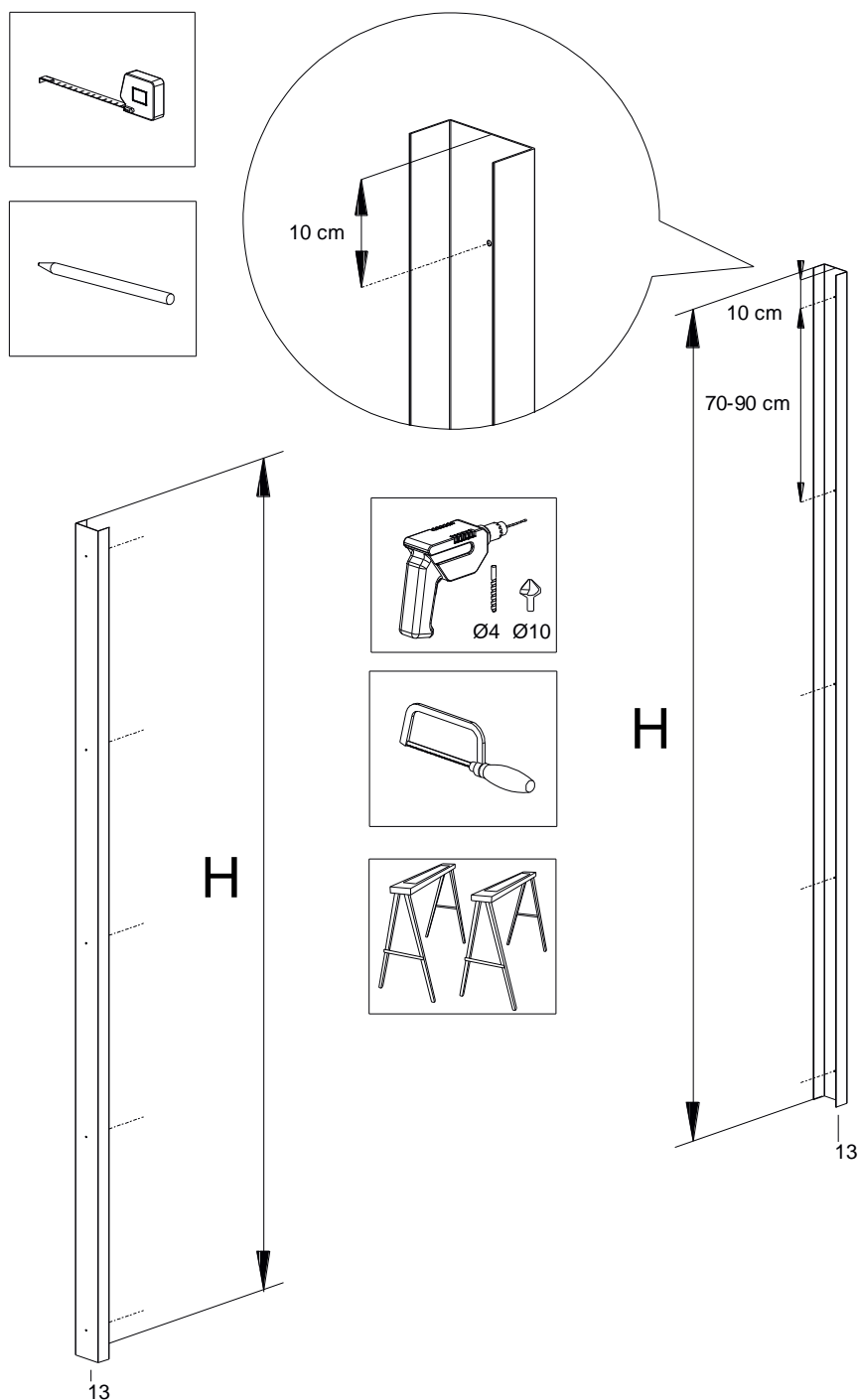


6.4 Installing U-profiles for the side connection (option)

NOTE: IF YOU DO NOT HAVE U-PROFILES FOR THE SIDE CONNECTION, PROCEED TO SECTION 6.6 INSTALLATION OF TOP AND BOTTOM RAILS.

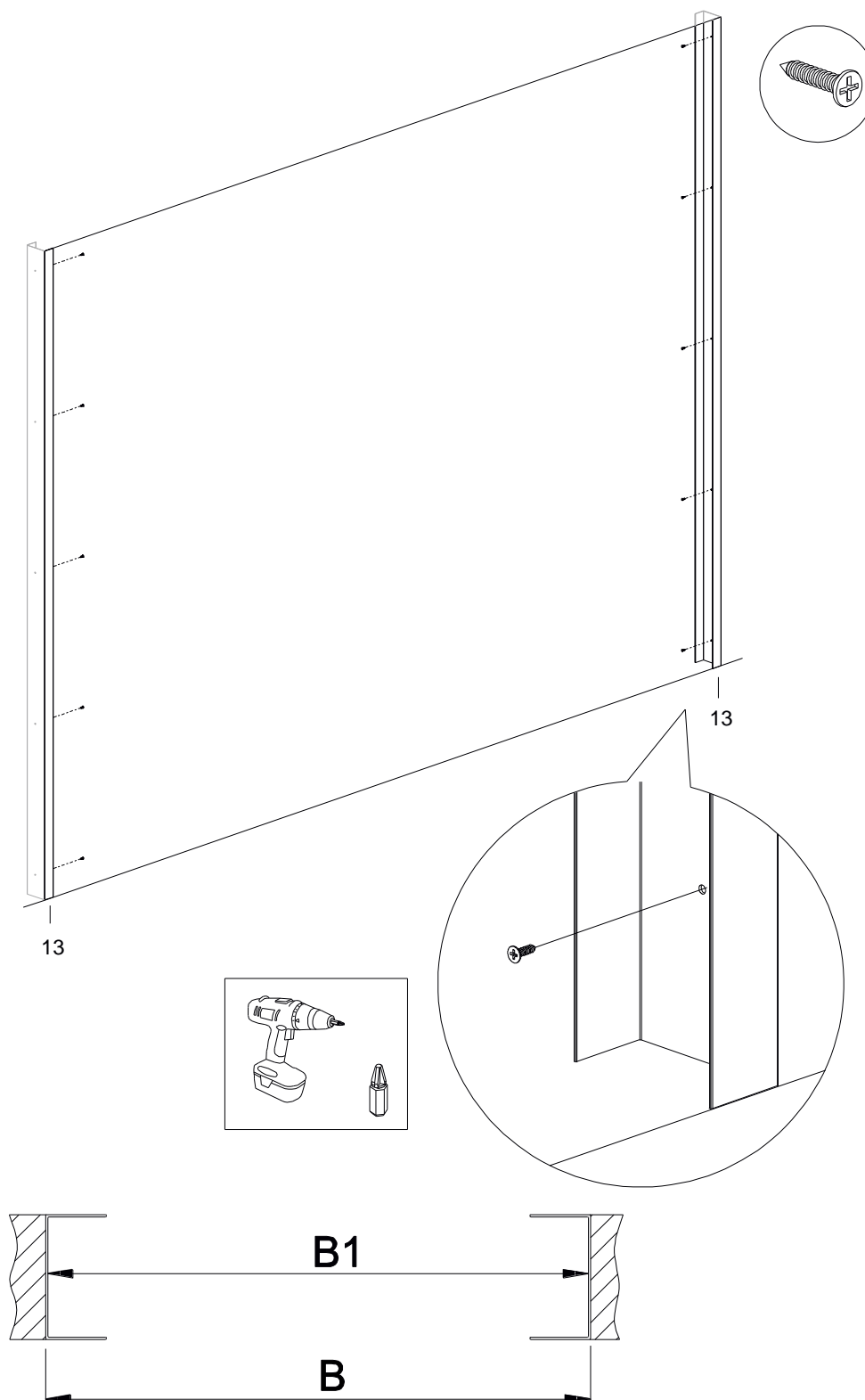
6.4.1 Cutting to size and pre-drilling the U-profiles

1. Place the U-profiles horizontally at working height (on a table or sawhorses).
2. Measure the overall height (H) and mark this on the U-profiles.
3. Saw the U-profiles to the right length.
4. Mark the holes along the centreline of the profiles, 10 cm from the end, with a distance of 70-90 cm to the next two holes. Drill the holes with a 4 mm drill bit. Countersink the holes to $\varnothing 10$ mm.



6.4.2 Installing the U-profiles

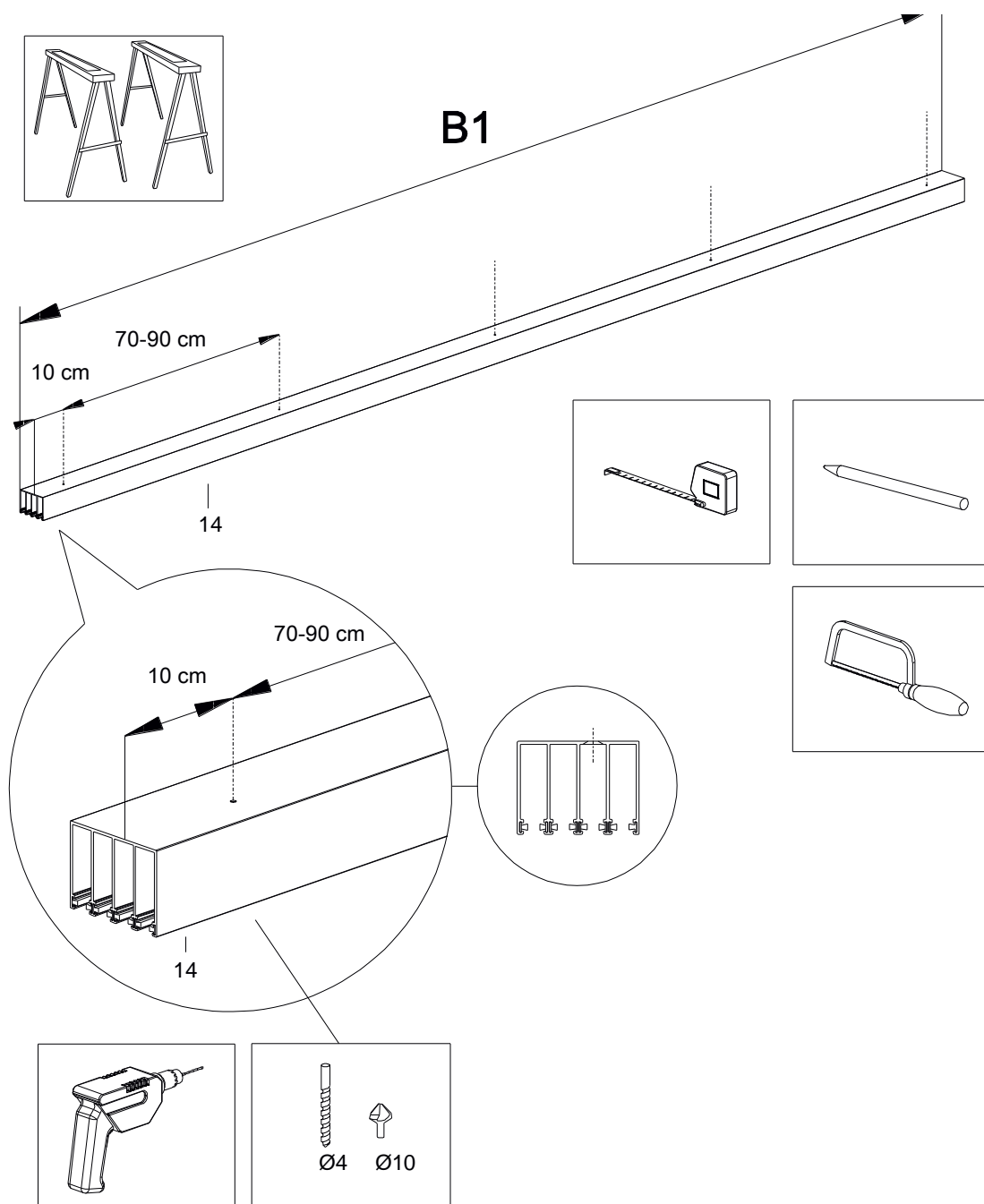
1. Place the U-profiles in the rough opening, against wall or post.
2. Check that the U-profiles are plumb.
3. Screw the U-profiles to wall or post. The type of fastener to be used depends on the type of surface (steel, concrete or wood).
4. Now measure dimension B1 for the length of the top and bottom rails.



6.5 Installing top and bottom rails with side connection (option)

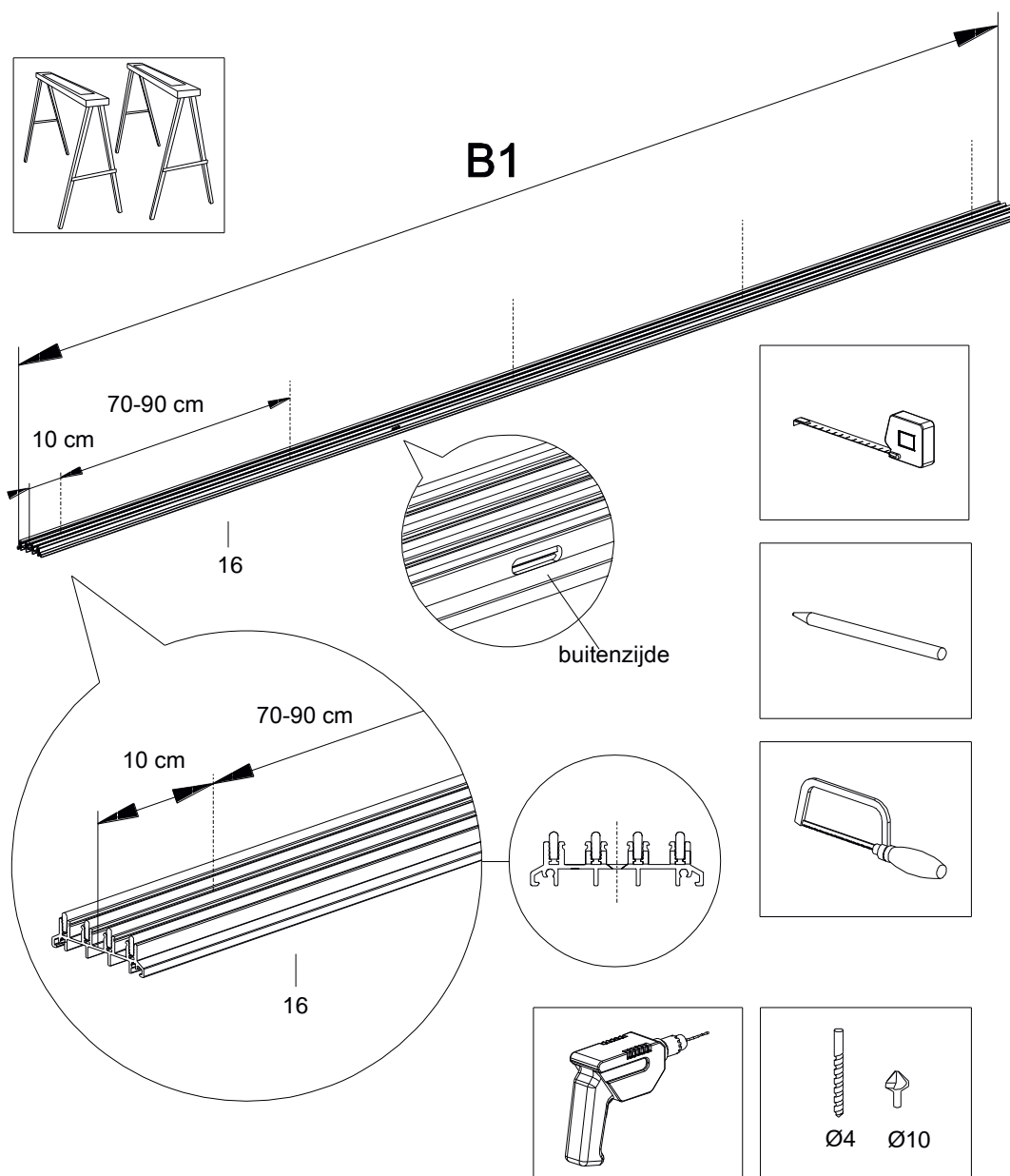
6.5.1 Cutting to size and pre-drilling the top rail

1. Place the top rail horizontally at working height (on a table or sawhorses).
2. Measure dimension B1 (overall width between the U-profiles) at the top of the rough opening and mark this on the top rail.
3. Saw the top rail to the right length.
4. Mark the holes along the centreline of the profile (for 4-track rail, in the centre of a track!), 10 cm from the end, with a distance of 70-90 cm to the next two holes. Drill the holes with a 4 mm drill bit. Countersink the holes to $\varnothing 10$ mm at the bottom side.



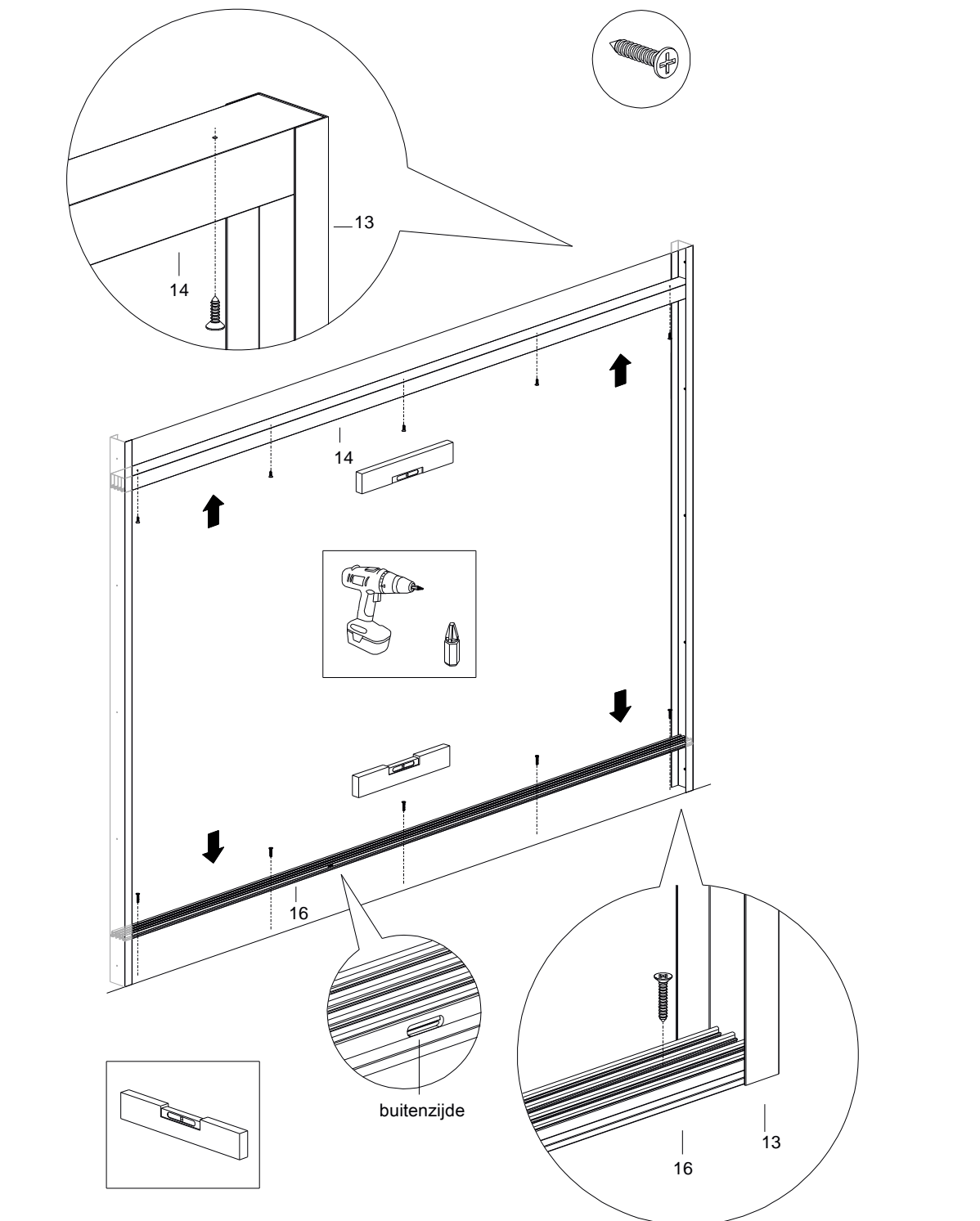
6.5.2 Cutting to size and pre-drilling the bottom rail

1. Place the bottom rail horizontally at working height (on a table or sawhorses).
2. Measure dimension B1 (overall width between the U-profiles) at the bottom of the rough opening and mark this on the bottom rail.
3. Saw the bottom rail to the right length.
4. Mark the holes along the centreline of the profile (for 3- or 5-track rail, in the centre of a track!), 10 cm from the end, with a distance of 70-90 cm to the next two holes. Drill the holes with a 4 mm drill bit. Countersink the holes to $\varnothing 10$ mm at the top side.



6.5.3 Installing the top and bottom rails

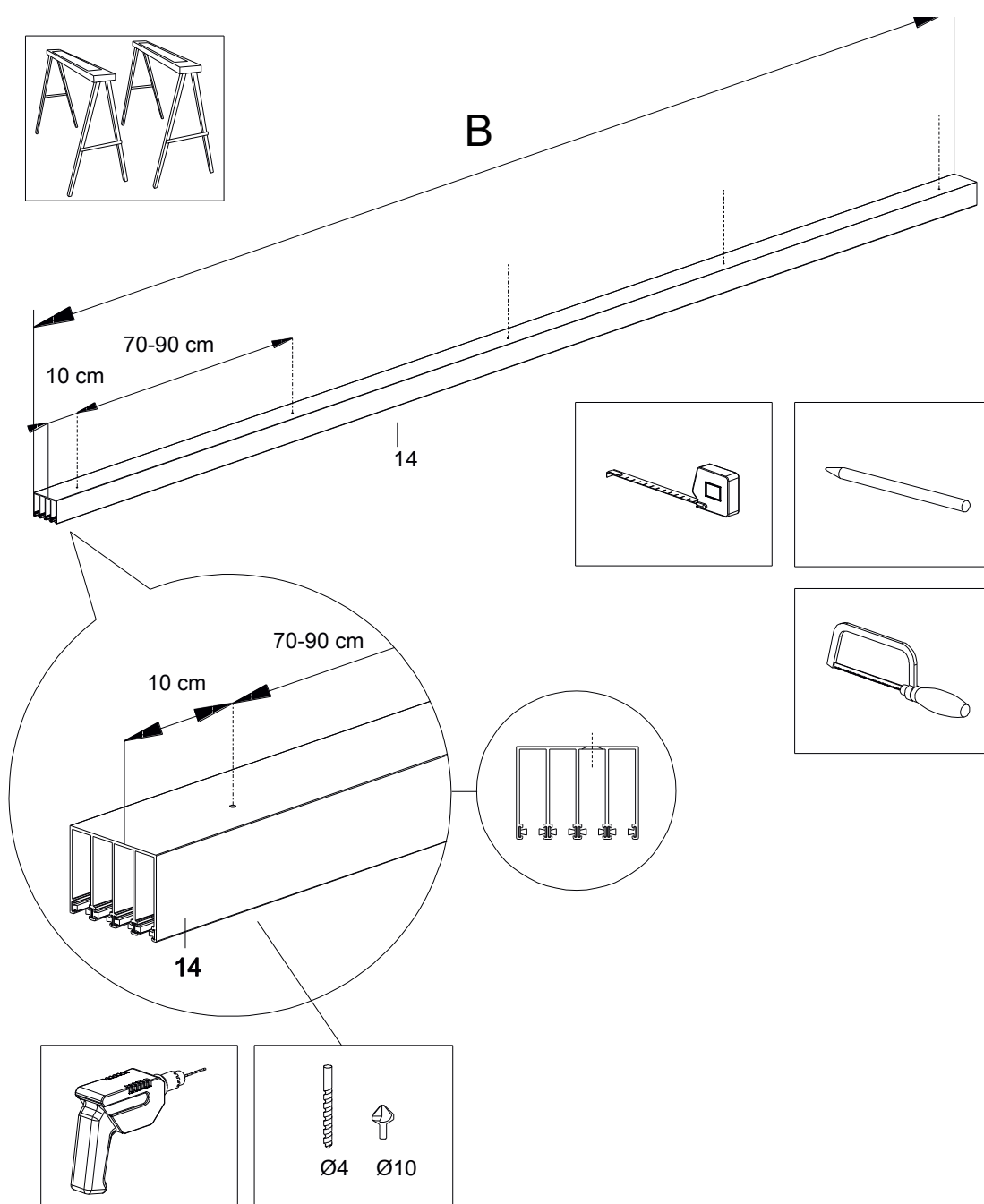
1. Place the top rail between the U-profiles and slide it against the top of the rough opening.
2. Check that the top rail is level.
3. Screw the top rail to wall or post. The type of fastener to be used depends on the type of surface (steel, concrete or wood).
4. Place the bottom rail between the U-profiles and slide it against the ground.
5. Check that the bottom rail is level.
6. Screw the bottom rail to the ground or RHS. The type of fastener to be used depends on the type of surface (steel, concrete or wood).



6.6 Installing top and bottom rails

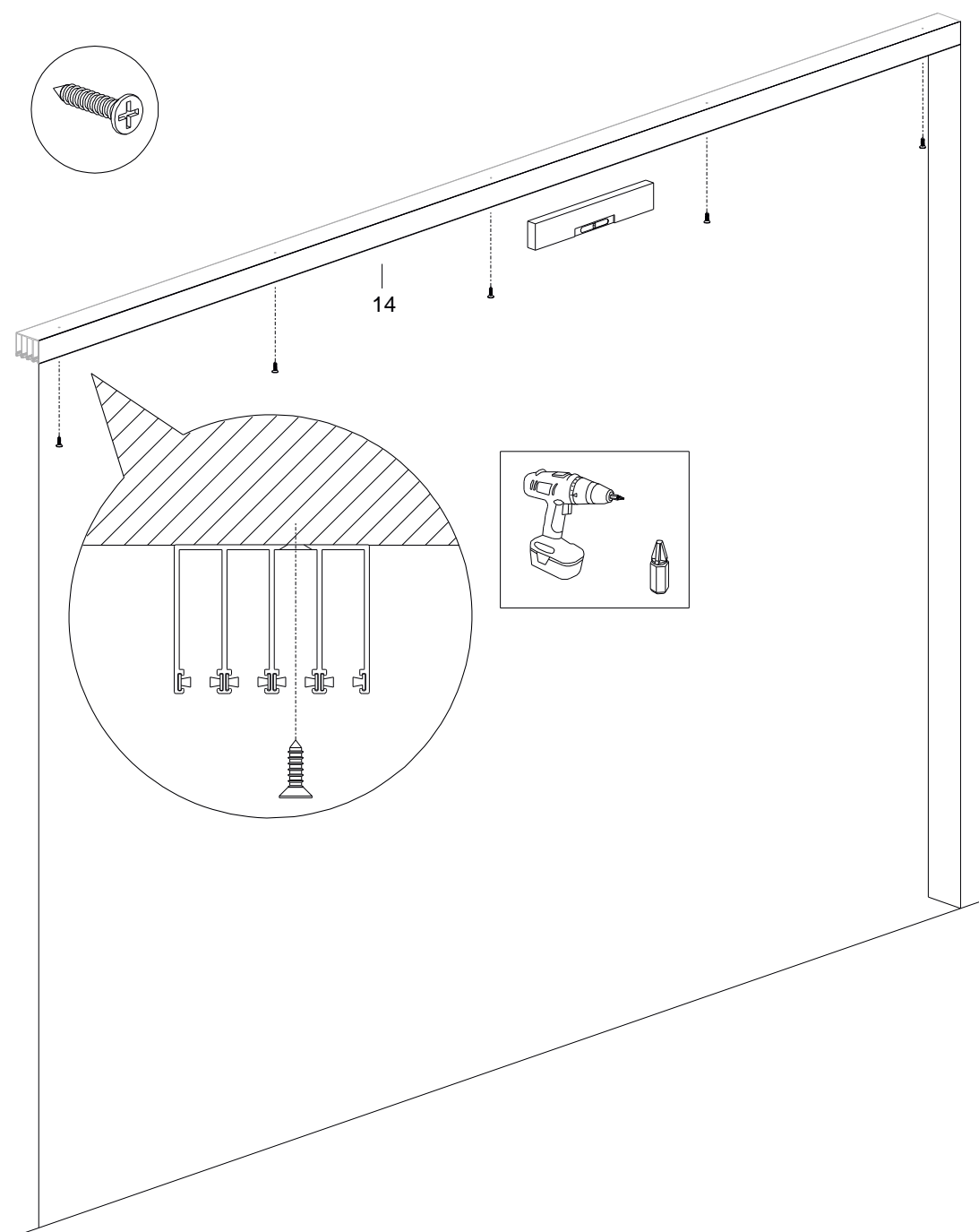
6.6.1 Cutting to size and pre-drilling the top rail

1. Place the top rail horizontally at working height (on a table or sawhorses).
2. Measure dimension W (overall width) at the top of the rough opening and mark this on the top rail.
3. Saw the top rail to the right length.
4. Mark the holes along the centreline of the profile (for 4-track rail, in the centre of a track!), 10 cm from the end, with a distance of 70-90 cm to the next two holes. Drill the holes with a 4 mm drill bit. Countersink the holes to $\varnothing 10$ mm at the bottom side.



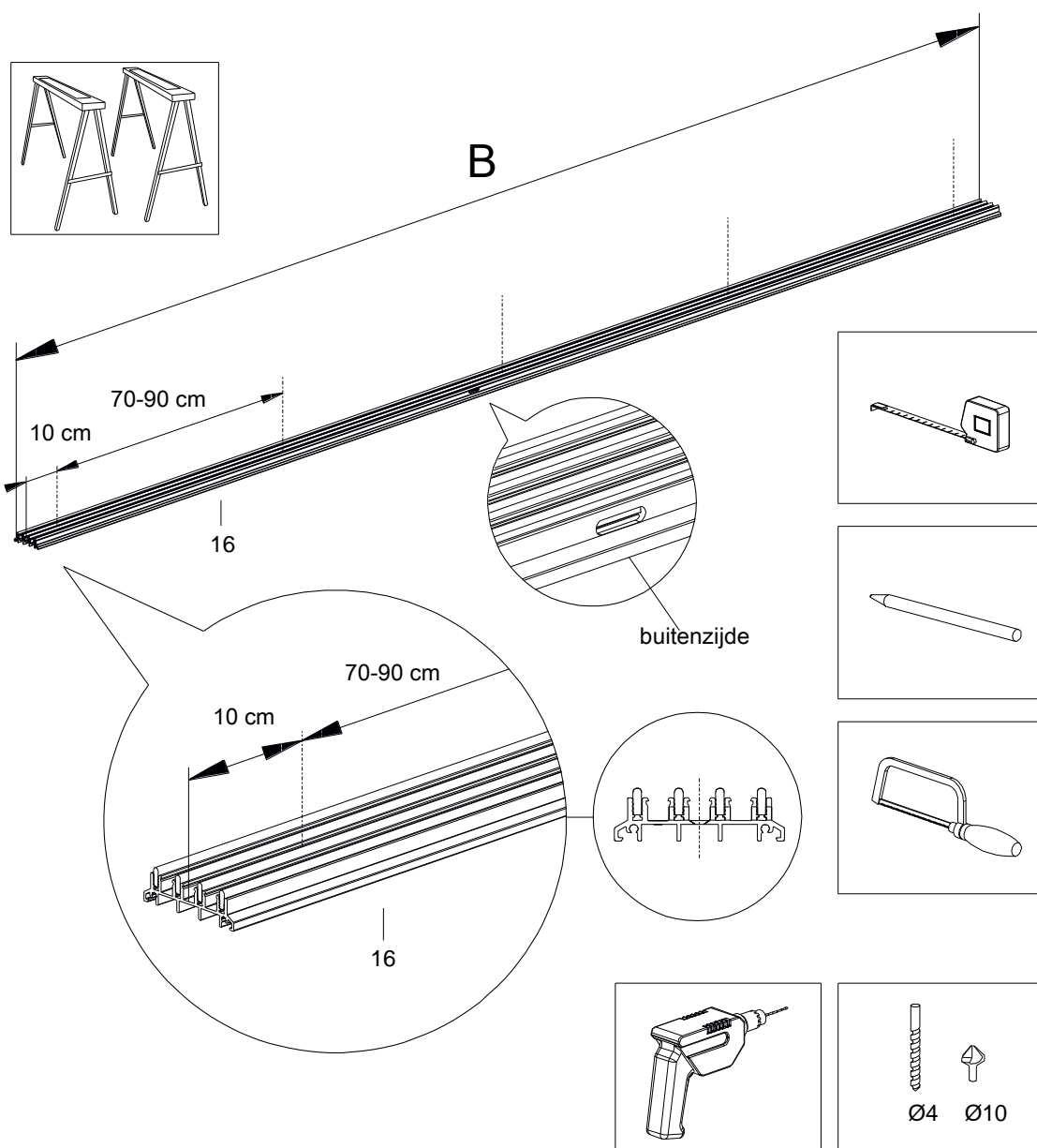
6.6.2 Installing the top rail

1. Place the top rail against the top of the rough opening.
2. Check that the top rail is level.
3. Screw the top rail to wall or post. The type of fastener to be used depends on the type of surface (steel, concrete or wood).



6.6.3 Cutting to size and pre-drilling the bottom rail

1. Place the bottom rail horizontally at working height (on a table or sawhorses).
2. Measure dimension W (overall width) at the bottom of the rough opening and mark this on the bottom rail.
3. Saw the bottom rail to the right length.
4. Mark the holes along the centreline of the profile (for 3- or 5-track rail, in the centre of a track!), 10 cm from the end, with a distance of 70-90 cm to the next two holes. Drill the holes with a 4 mm drill bit. Countersink the holes to $\varnothing 10$ mm at the top side.



6.6.4 Installing the bottom rail

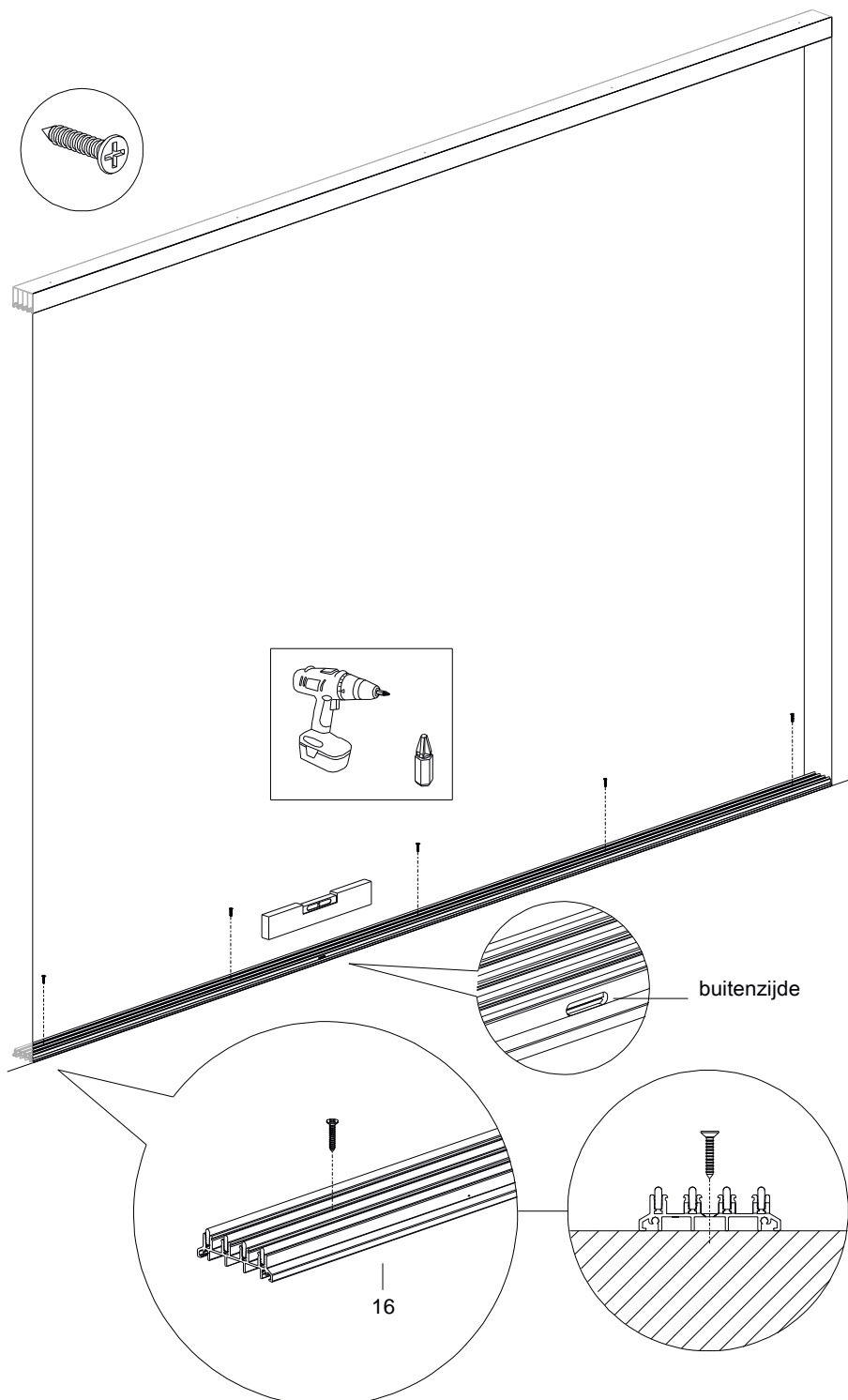
Note: The bottom rail must be sufficiently anchored, via RHS, concrete strip or tiles.

1. Place the bottom rail in the rough opening on the ground.

NOTE: Make sure the slots for water drainage are on the outside.

2. Check that the bottom rail is level and properly aligned with the top rail.

3. Screw the bottom rail to the ground or RHS. The type of fastener to be used depends on the type of surface (steel, concrete or wood).

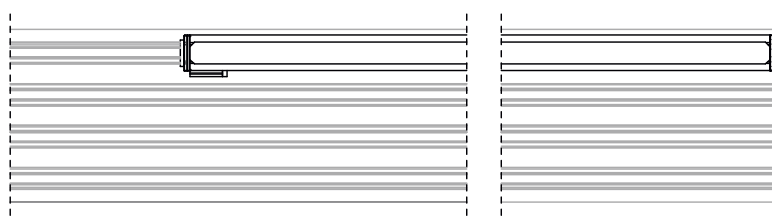
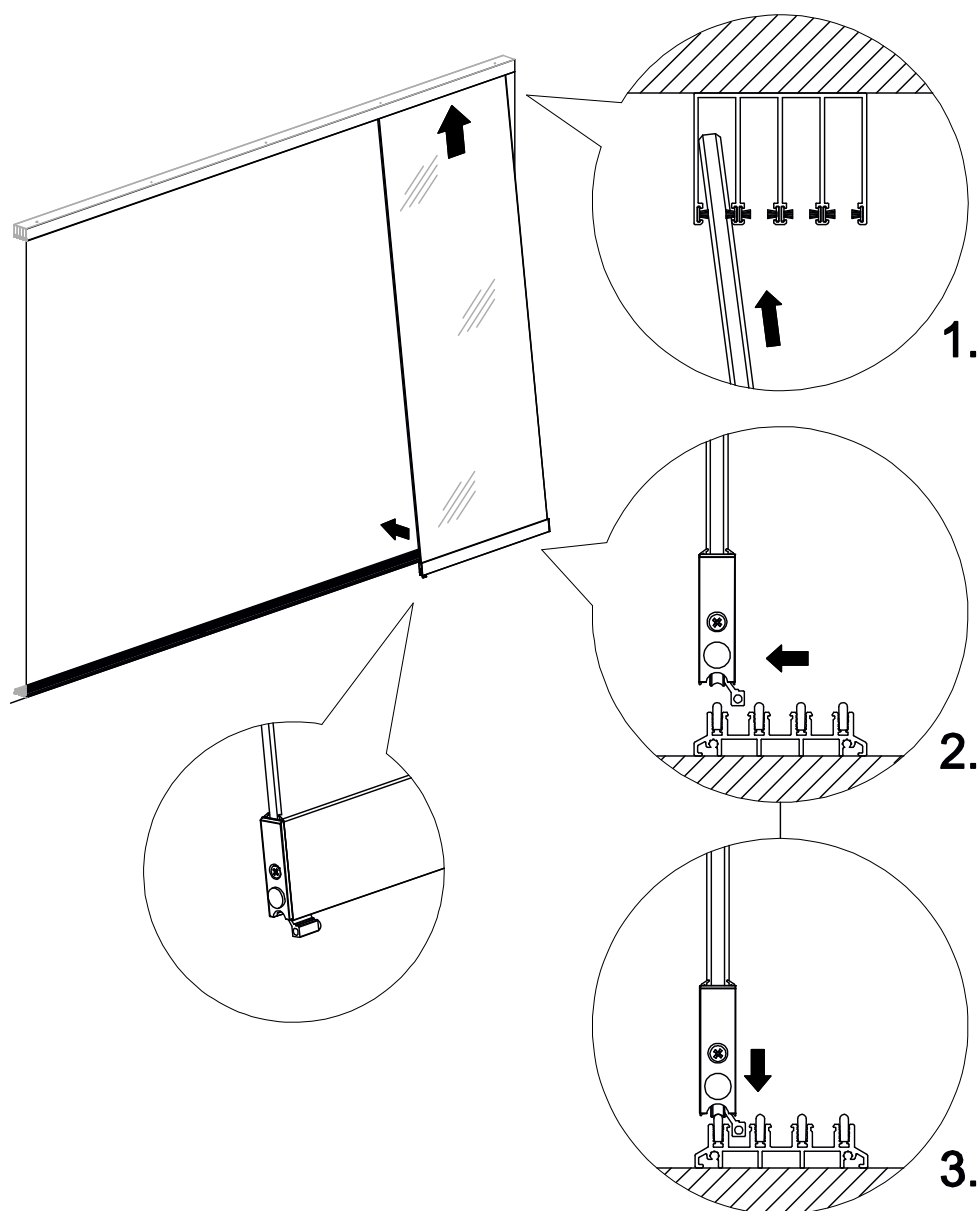


6.7 Placing the glass panels

Note: When placing the glass panels, always make sure they are placed in the correct track.

1. Lift the first glass panel into the first track of the top rail and then lower the glass panel into the same track on the bottom rail.

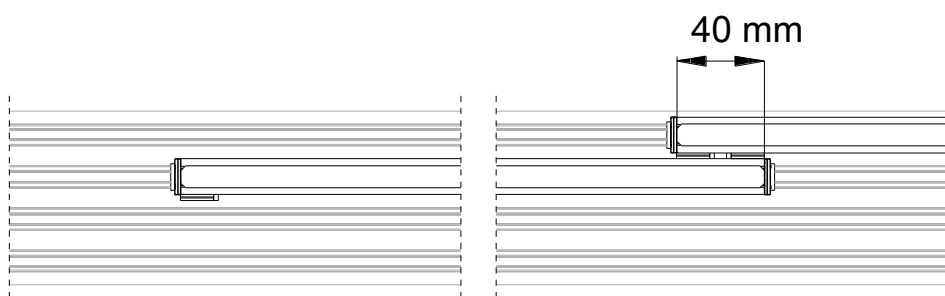
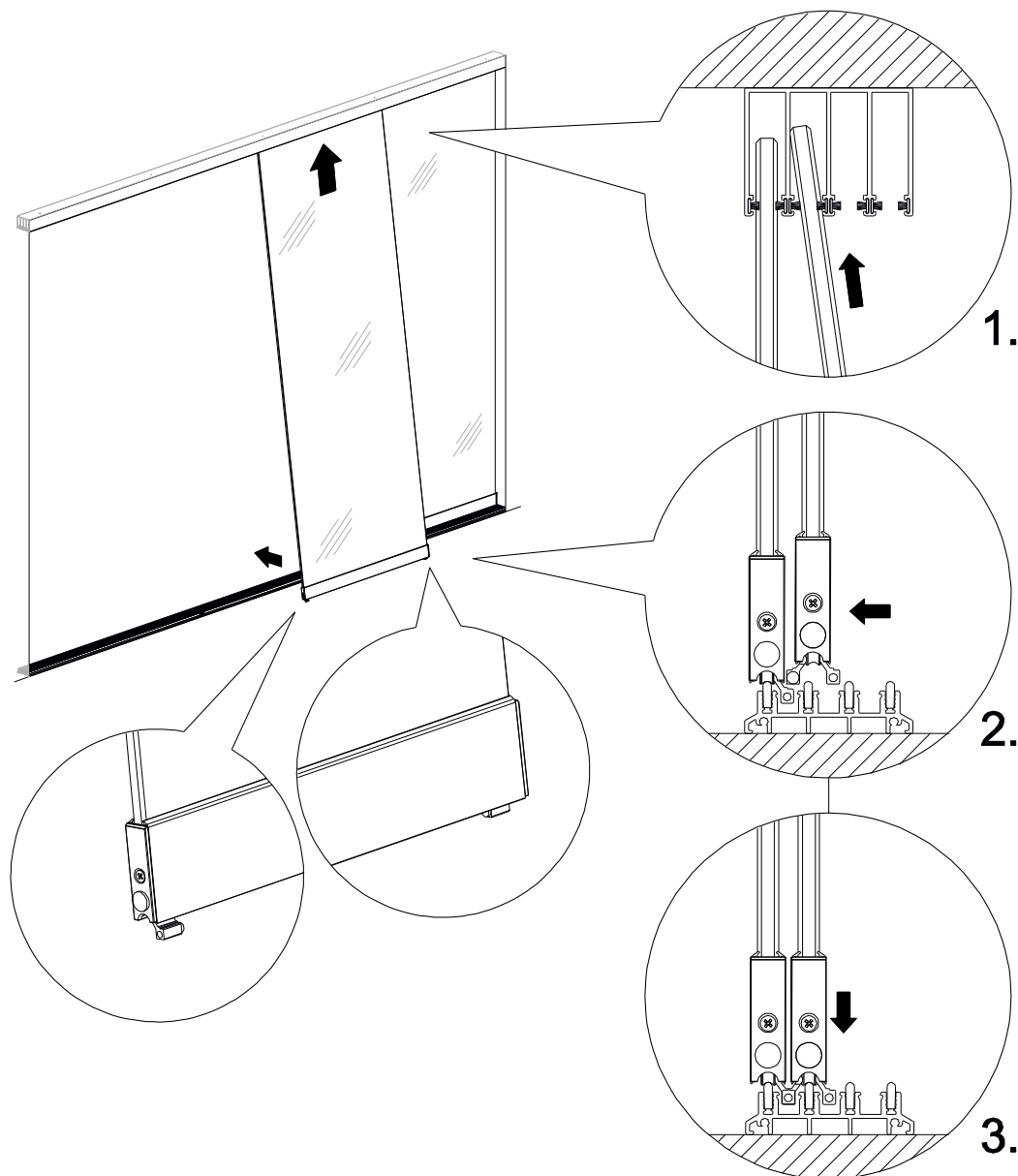
Note: Make sure the catch is on the correct side!



2. Lift the second glass panel into the second track of the top rail and then lower the glass panel into the same track on the bottom rail.

Note: Make sure that the catch on the second panel falls behind the catch on the first panel at the overlap!

3. Repeat the steps until all the glass panels are in position.

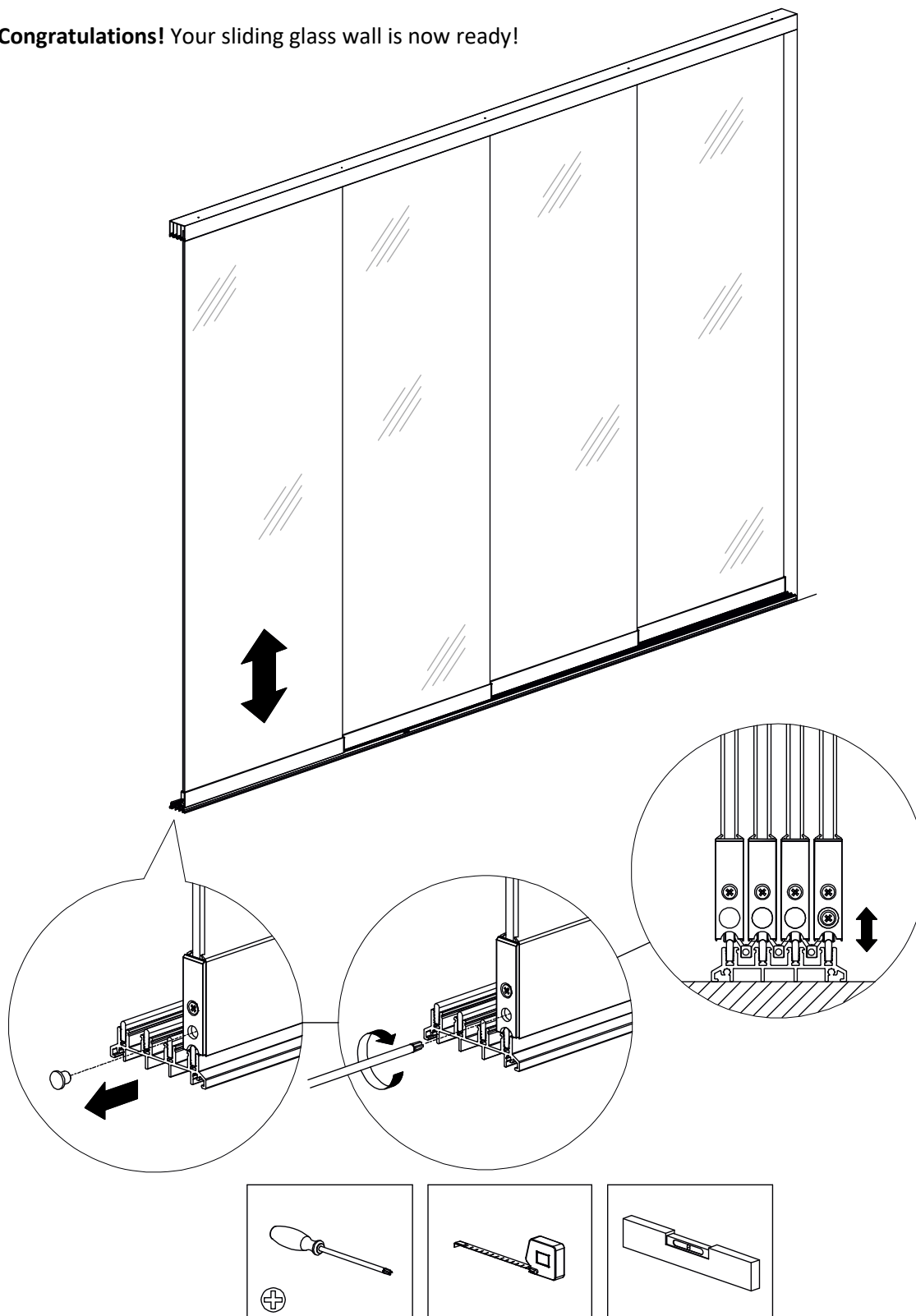


6.8 Adjusting the glass panels

A Phillips screwdriver can be used to perfectly align the glass panels.

1. Remove the cap.
2. Use the Phillips screwdriver to adjust the runner wheels to the perfect height.
3. Fit the cap.
4. Repeat this for all the glass panels.

Congratulations! Your sliding glass wall is now ready!



6.9 Installing handle (option)

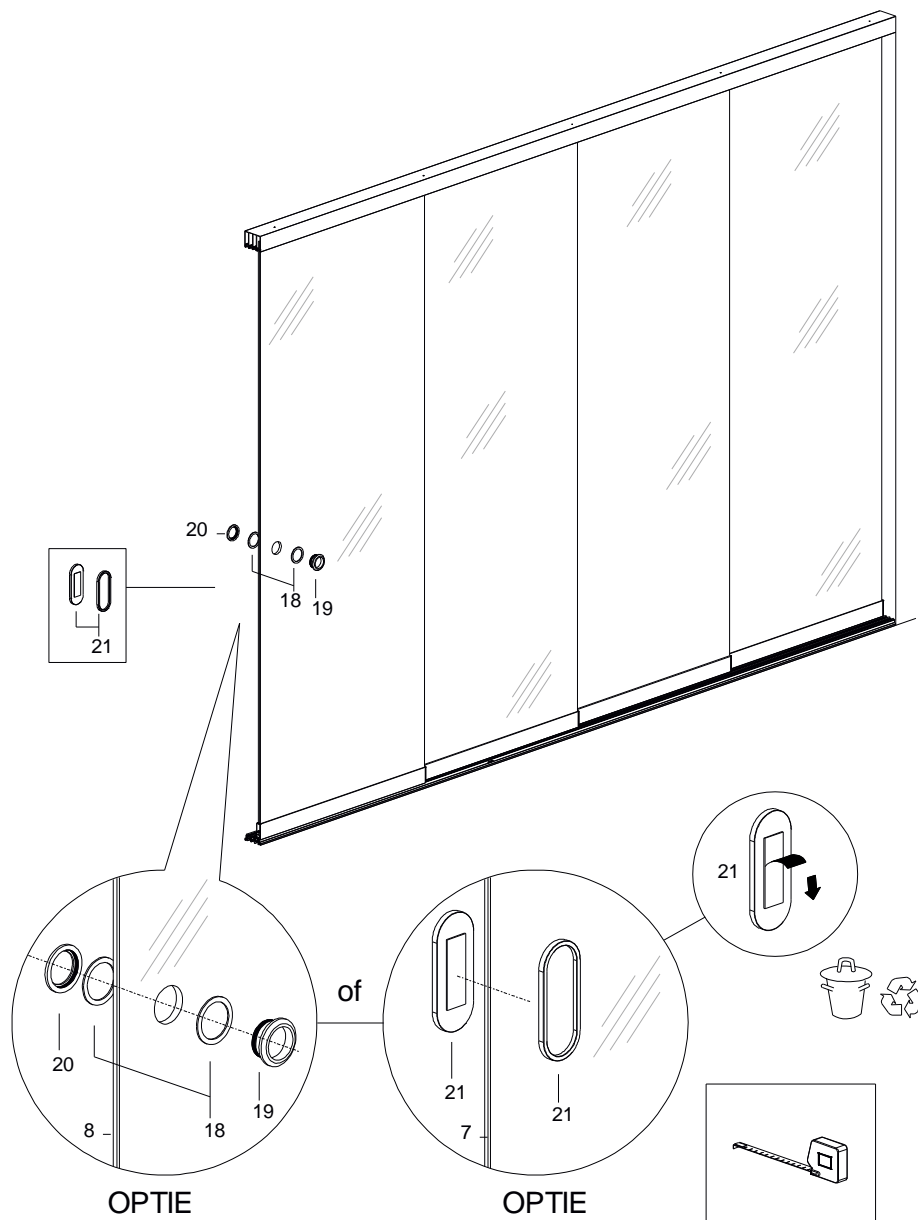
The sliding glass wall is optionally available with stick-on handles or screw-in handles.

Installing aluminium stick-on handles:

1. Close the sliding glass wall completely and mark the position where the stick-on handles should be located (approximately 105 cm from the ground and 10 cm from the side).
2. Degrease the glass panel where the handle will be placed.
3. Remove the film from the 3M VHB tape.
4. Affix the handles to both sides of the glass panel. Press firmly!

Installing stainless steel screw-in handles:

1. Place the sealing ring on the screw-in handle (19).
2. Place the screw-in handle (19) through the round mounting hole in the glass panel on the outside of the sliding glass wall.
3. On the inside, place the second sealing ring on the screw-in handle (19).
4. Screw the grip ring (20) onto the screw-in handle (19).

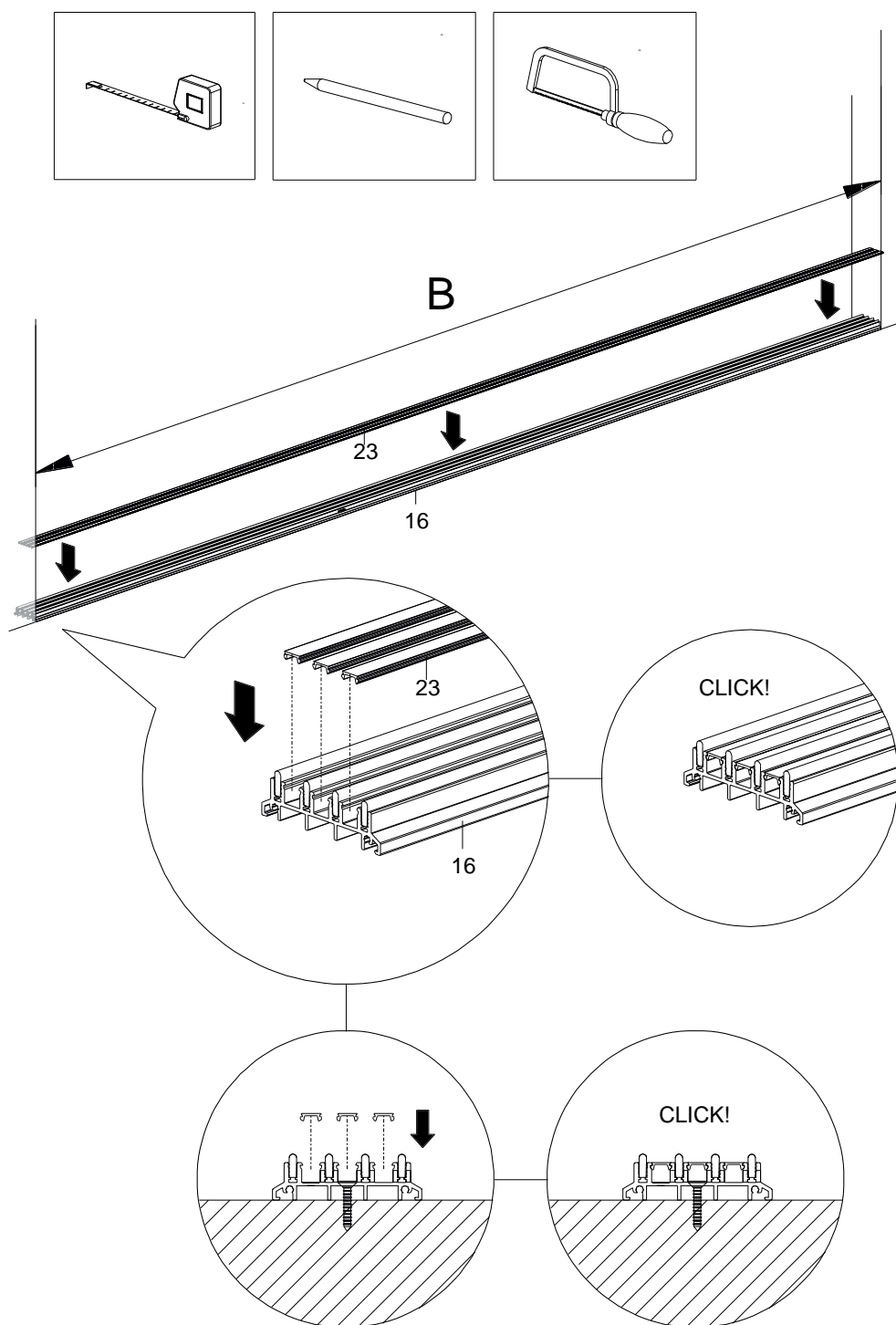


6.10 Installing fill strips (option)

Optionally, fill strips can be fitted in the bottom rail. The fill strips can be installed afterwards. **Note:** fill strips cannot be combined with catches.

Always attach the bottom rail to the floor first, before installing the fill strips!

1. Measure the length of the bottom rail and mark this on the fill strips.
2. Saw the fill strips to the right length.
3. Click the fill strips in the bottom rail.



7. Maintenance

We recommend that you maintain and clean your sliding glass wall regularly. Check whether all the screw connections are tight. If not, tighten them firmly. Make sure the glass panels are adjusted to the perfect height. Rubbing of the H-profiles and/or catches in the bottom rail can lead to premature wear. Contamination may accumulate in the bottom rail system. To obtain maximum service life, be sure to keep the rail (track system) clean.

The aluminium profiles and glass panels that are dirty can be cleaned with lukewarm water and a neutral cleaning product.

- Before first use the sliding glass wall must first be thoroughly rinsed with clean water.
- Use plenty of water, soft material and a sponge for cleaning and washing.
- Never use abrasives or aggressive solvents (no acids or alkalis).
Solvents (washing-up liquid and glass cleaner) can be used for removing greasy contamination.
- Never use a pressure washer.

8. Disposal of waste

Dispose of the product according to local laws and regulations.

9. Warranty conditions

Warranty in accordance with the warranty conditions and Deponti's general terms and conditions. These can be found on the website www.deponti.com.

10. Contact

Your dealer is your first point of contact for questions and comments.

Deponti
Rijnstraat 20a
5347 KN OSS
T: +31 (0)41 276 27 08
E: Info@deponti.com